

Integrated Vacuum Ejector

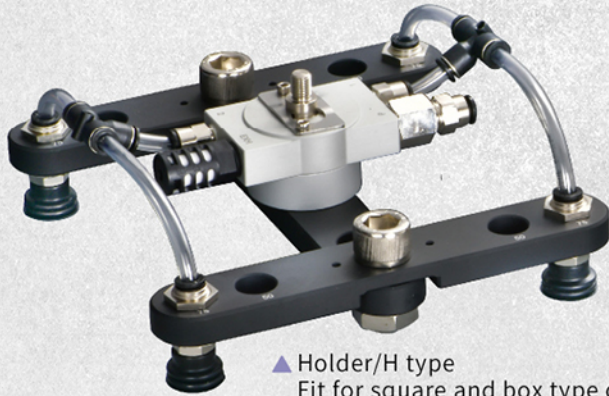
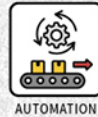
CHELIC®

VHS series

Suction Pad Diameter: $\Phi 60$



Applicable



▲ Holder/H type
Fit for square and box type objects



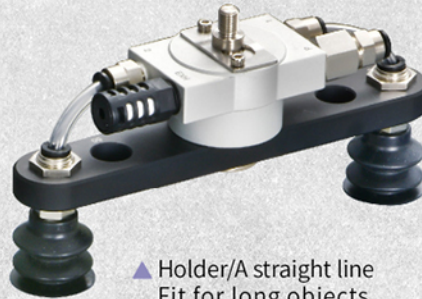
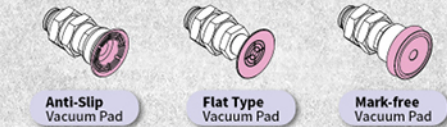
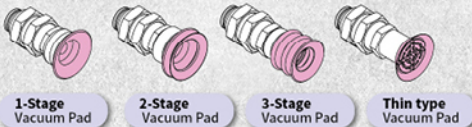
▲ Vacuum Pad type

Easy piping

Connector design for easy piping

Modular design

Various types of holders



▲ Holder/A straight line
Fit for long objects



▲ Holder/H type
Fit for Round type objects.

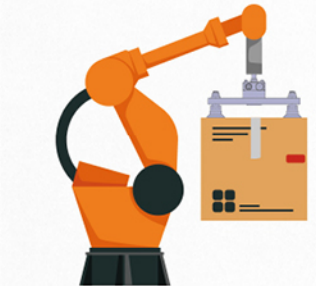
Maximum suction volume: **60** L/min

Supply Pressure: **500** kPa

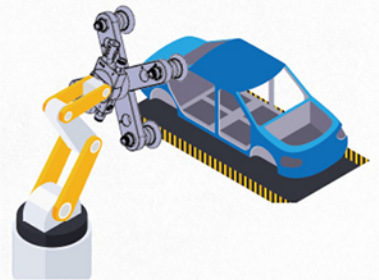
Consumption: **140** L/min

Maximum vacuum pressure: **-90** kPa

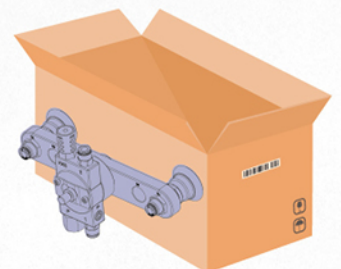
Maximum suction weight: **8** kg



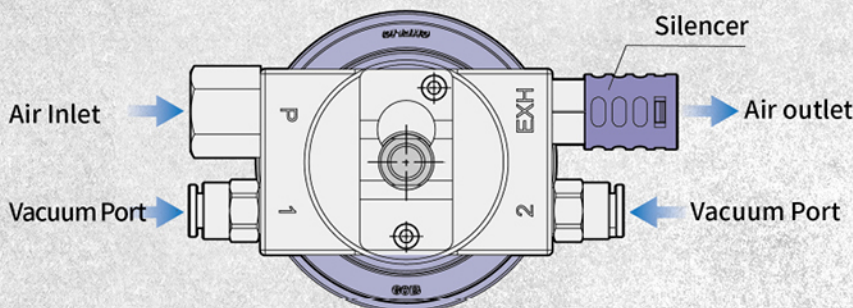
Robotic arm with
VHS for lifting action



Application in
automobile assembly



Application of carton packing



VHS series Integrated Type Vacuum Ejector

Product features

CHELIC

Feature

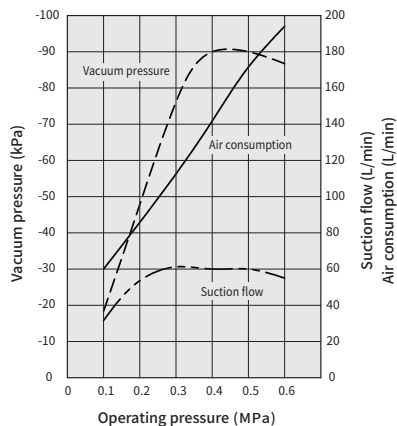
- Vacuum ejector combined with vacuum pad.
- Built-in one-touch fittings, easy piping.
- Multiple choices for models or pad types.



Specification

Item	Model	VHS
Fluid		Air
Pressure range	MPa(kPa)	0.3~0.7 (300~700)
Proof pressure	MPa(kPa)	0.5 (500)
Reach the vacuum	kPa(mmHg)	-90 (-675)
Nozzle diameter	mm	1.5
Max. suction flow	L/min	60
Ambient and fluid temperature	°C	0 ~ 50
Material		Aluminum(anodized treatment)

Characteristic graph



Product weight

Model	Weight(g)
VHS-01-60	226
VHS-02-A25-N	507
VHS-03-A25-N	718
VHS-04-A25-N	960

EV

EVM

VA□

VM□

VM□U

VHS

VSL

VKM

VKMT

VCK

VK20□

VK30□

VQ20□

VFD

VFM

VFU

ERV

ERVL

MVS

DYC

VHS series Integrated Type Vacuum Ejector


Code of order

CHELIC

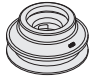
Code of order VHS 01 - 60 - N

1 2 3

1

Mark	Model	Image
01	Pad type	

2

Mark	Pad type	
	Pad diameter (mm)	Vacuum pad Double layers
60	Ø60	

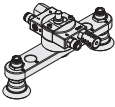
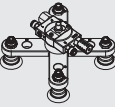
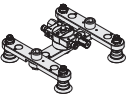
3

Mark	Pad material	Color
N	NBR	Black
S	Silicon, Silicon rubber	White
SE	Anti-static rubber	Black

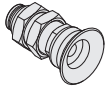
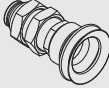
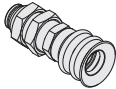
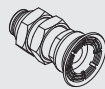
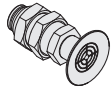
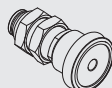
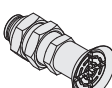
Code of order VHS 02 - A20 - N

1 2 3

1

Mark	Model	Image
02	Linear type	
03	Cross type	
04	H type	

2

Mark	Pad diameter (mm)	Pad type
A20	Ø20	
A25	Ø25	
B20	Ø20	
C20	Ø20	
O20	Ø20	
P20	Ø20	
Q20	Ø20	
G20	Ø20	
G25	Ø25	

3

Mark	Pad material	Color
N	NBR	Black
S	Silicon, Silicon rubber	White
SE	Anti-static rubber	Black

● G20, G25 only S material, O20 only N material

VHS series Selection table:

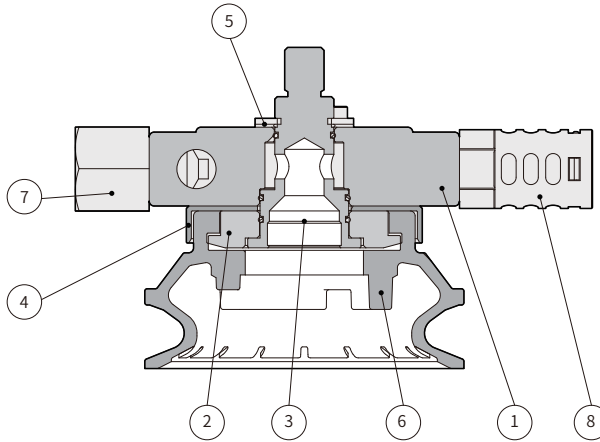
Item	1	2	3	
	Model	Pad type	Pad material	
VHS	01	60	N • S • SE	
	02 • 03 • 04	A20 • A25 • B20 • C20 • P20 • Q20		
		G20 • G25		S
		O20		N

VHS series Integrated Type Vacuum Ejector

Product features

CHELIC

Internal structure



Components and Material list

No.	Item	Material	No.	Item	Material
01	Body	Aluminum alloy	05	Plate	Stainless steel
02	Base	Aluminum alloy	06	Vacuum pad	NBR
03	Bolt	Steel	07	Nozzle	Aluminum alloy
04	Holder	Aluminum alloy	08	Silencer	POM

EV

EVM

VA□

VM□

VM□U

VHS

VSL

VKM

VKMT

VCK

VK20□

VK30□

VQ20□

VFD

VFM

VFU

ERV

ERVL

MVS

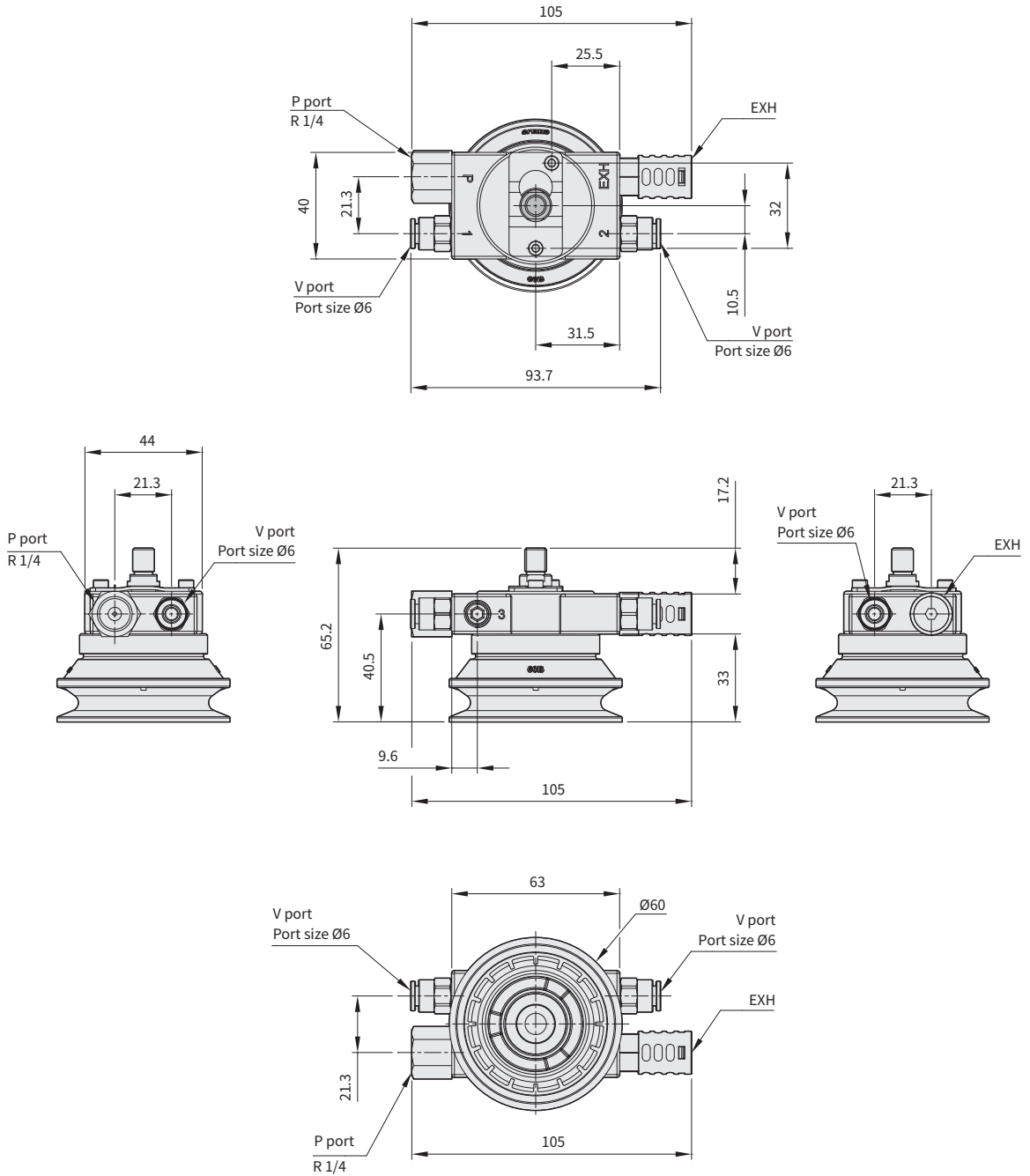
DYC

VHS series Integrated Type Vacuum Ejector

Dimensions

CHELIC

VHS 01 - 60

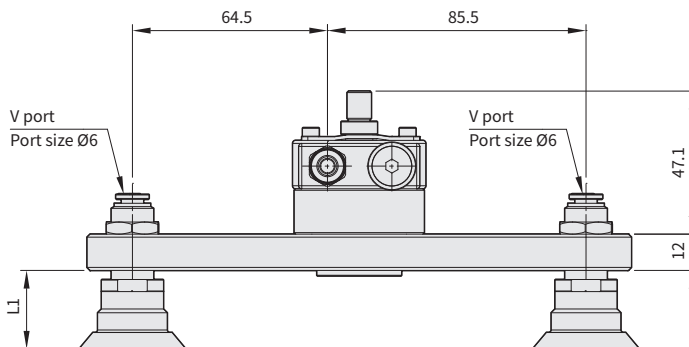
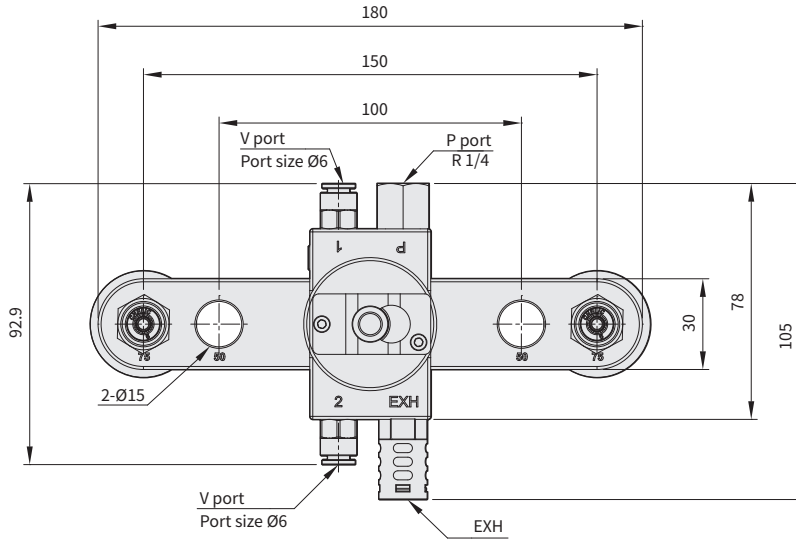


VHS series Integrated Type Vacuum Ejector

Dimensions

CHELIC

VHS 02



Unit: mm

Item	Model	A20	A25	B20	C20	G20	G25	O20	P20	Q20
L1		17	21	20	29	24	25	16	17	20

EV

EVM

VA □

VM □

VM □ U

VHS

VSL

VKM

VKMT

VCK

VK20 □

VK30 □

VQ20 □

VFD

VFM

VFU

ERV

ERVL

MVS

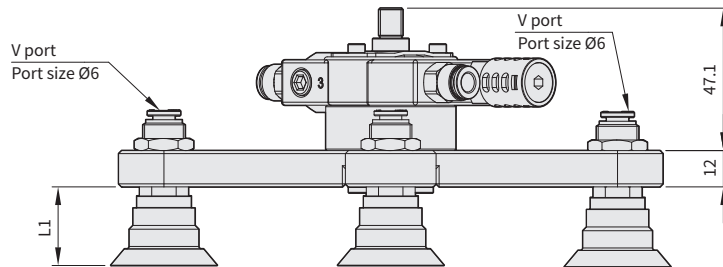
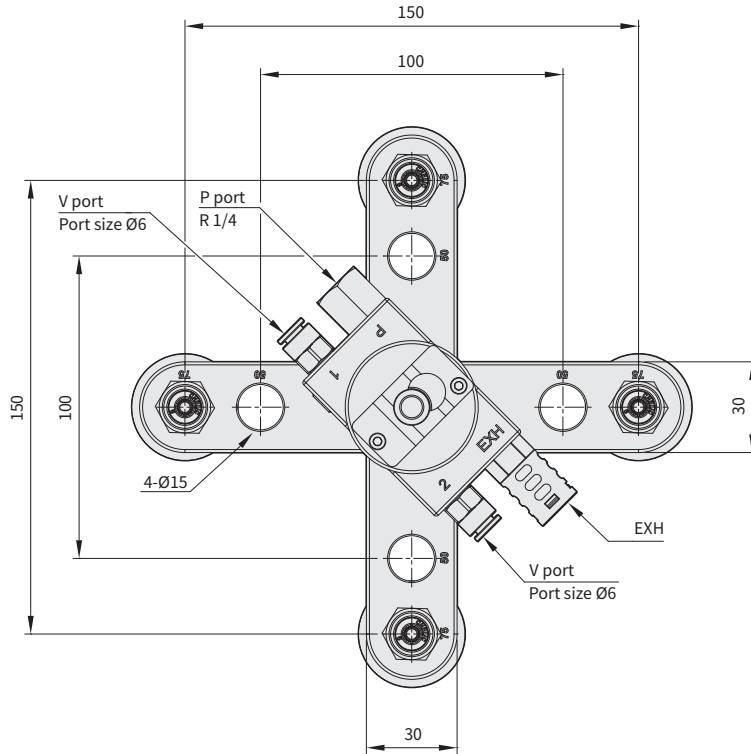
DYC

VHS series Integrated Type Vacuum Ejector

Dimensions

CHELIC.

VHS 03



Unit: mm

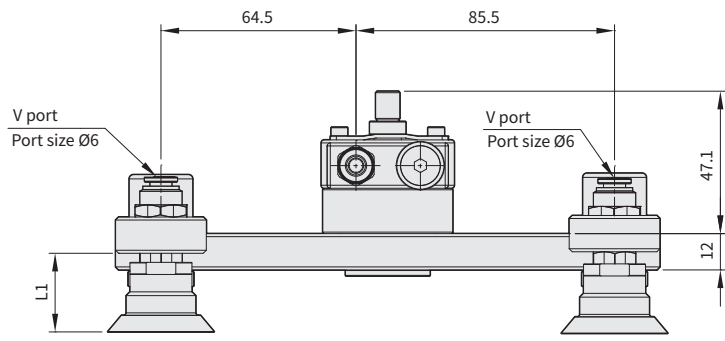
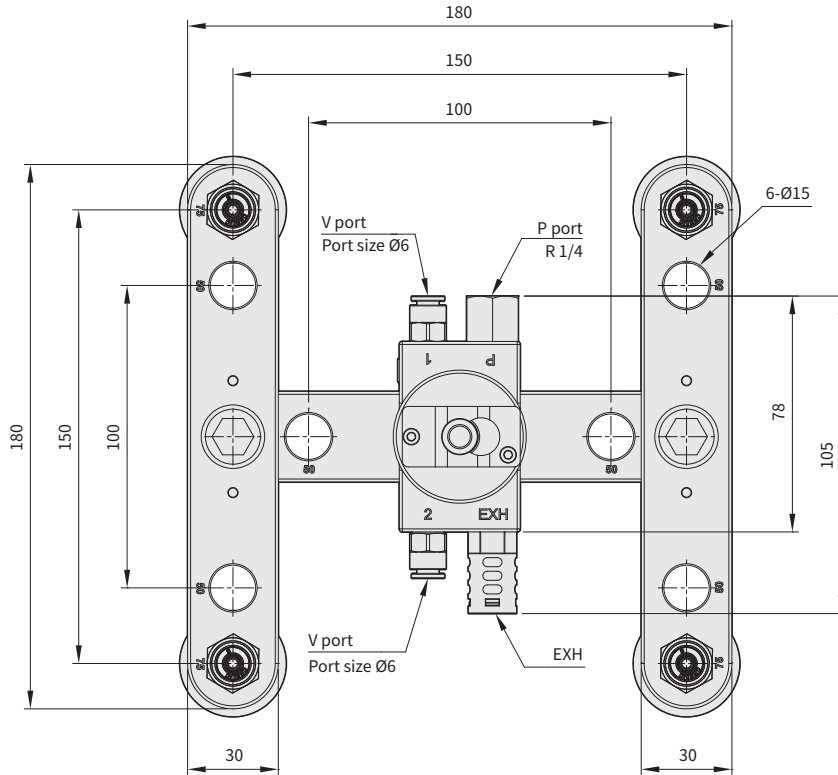
Item	Model	A20	A25	B20	C20	G20	G25	O20	P20	Q20
	L1	17	21	20	29	24	25	16	17	20

VHS series Integrated Type Vacuum Ejector

Dimensions

CHELIC

VHS 04



Unit: mm

Item	Model	A20	A25	B20	C20	G20	G25	O20	P20	Q20
L1		17	21	20	29	24	25	16	17	20

EV

EVM

VA □

VM □

VM □ U

VHS

VSL

VKM

VKMT

VCK

VK20 □

VK30 □

VQ20 □

VFD

VFM

VFU

ERV

ERVL

MVS

DYC