

UFR series Filter Regulator

Product features/ Code of order

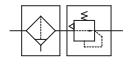
CHELIC

Feature

- Regulating and filtering functions.
- Modulization with U series.
- Optional automatic drain installation is available for machine locations with limited space or where access for disassembly is difficult.



Symbol:



Specification

Item	Model	UFR 200	UFR 300	UFR 400	UFR 500
Fluid		Air			
Port size	Rc	1/8, 1/4	1/4, 3/8	1/4, 3/8, 1/2	3/4
Filter grade	μm	5			
Pressure range	kgf/cm ² (kPa)	0.5 ~ 8.5 (50 ~ 850)			
Max. service pressure	kgf/cm ² (kPa)	10 (1000)			
Ambient and fluid temperature	° C	5 ~ 60			
Lubricator capacity	cc	25	40	80	80
Material	Body	Aluminum alloy die-casting			
	Bowl	High tensile plastic material			
Weight	kg	0.18	0.77	1.3	1.4

Code of order **UFR 400 - 03 -** - - **W** -



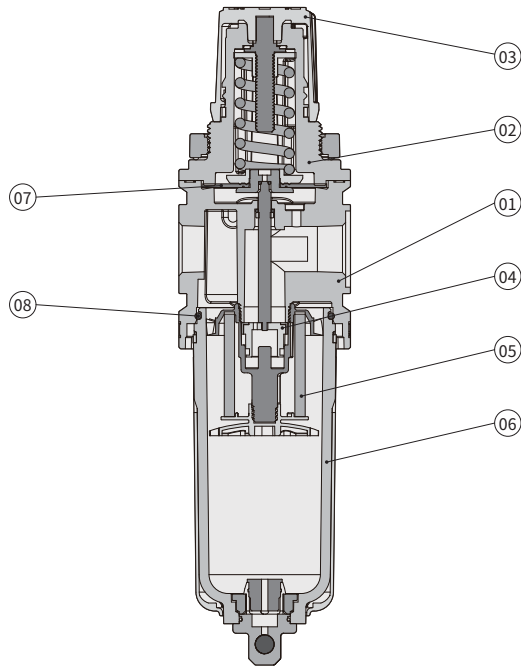
1	Item	Mark	Specification	Model			
				UFR 200	UFR 300	UFR 400	UFR 500
2	Connection port	01	1/8	●	—	—	—
		02	1/4	●	●	●	—
		03	3/8	—	●	●	—
		04	1/2	—	—	●	—
		06	3/4	—	—	—	●
3	Thread type	None	RC	●	●	●	●
		G	PF	●	●	●	●
		N	NPT	●	●	●	●
4	Bowl material	None	PC cup	●	●	●	●
		MG	Metal cup	●	●	●	●
5	Drain cock type	W	Manual drain cock	●	●	●	●
		A	Auto drain -N.O.(Limited to transparent cups)	●	●	●	●
		AC	Auto drain -N.C.(Limited to transparent cups)	—	●	●	●
6	Pressure gauge	None	PG 22N square pressure gauge	●	●	●	●
		P	PG-10A Circle pressure gauge	●	●	●	●
		EN	Pressure swtich (PSN-41 2NPN Output)	●	●	●	●
		EP	Pressure swtich (PSN-41 2PNP Output)	●	●	●	●

UFR series Filter Regulator

Product features

CHELIC

Internal structure



Components and material list

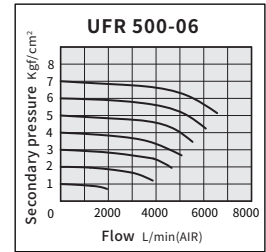
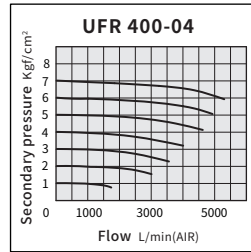
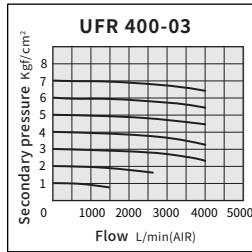
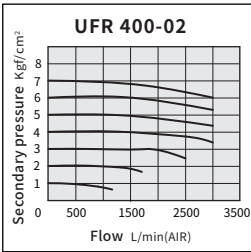
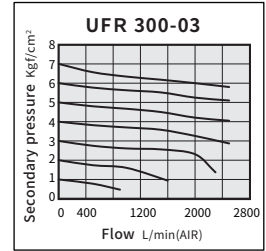
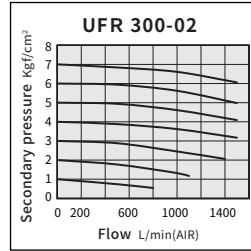
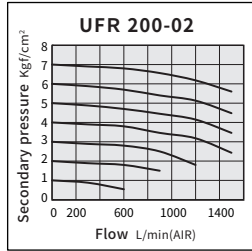
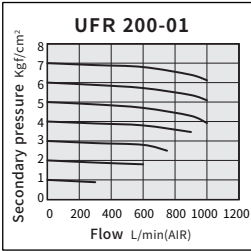
No.	Item	Material	Quantity	Reference model
01	Body	Aluminum die-casting	1	UFR200 ~ UFR500
02	Pressure adjusting holder	POM	1	
03	Pressure adjusting knob	ABS	1	
04	Valve assembly	Brass+NBR	1	
05	Filter	EA30	1	
06	Bowl	PC	1	
07	Diaphragm	NBR	1	
08	Bowl O-ring	NBR	1	

UFR series Filter Regulator

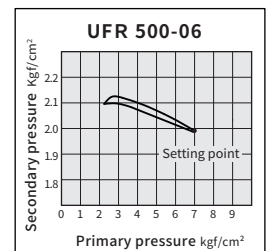
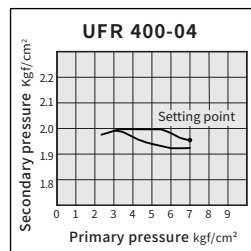
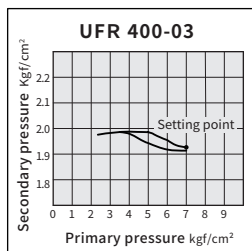
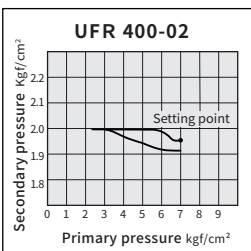
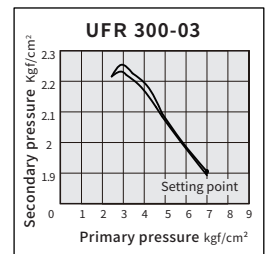
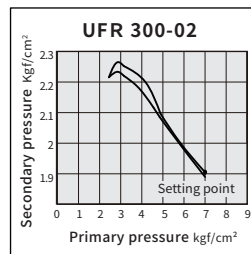
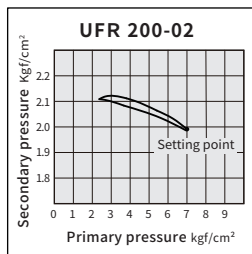
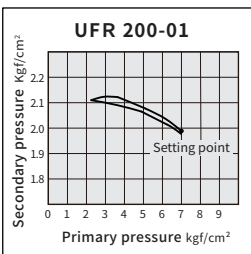
Characteristics graph

CHELIC

Flow rate characteristic graph



Pressure characteristics graph

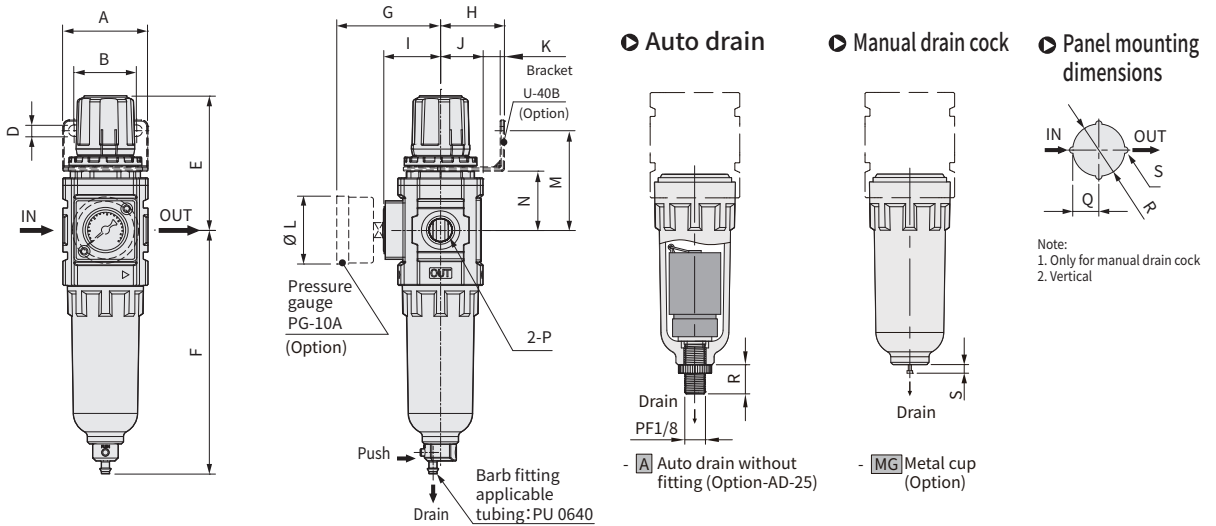


UFR series Filter Regulator

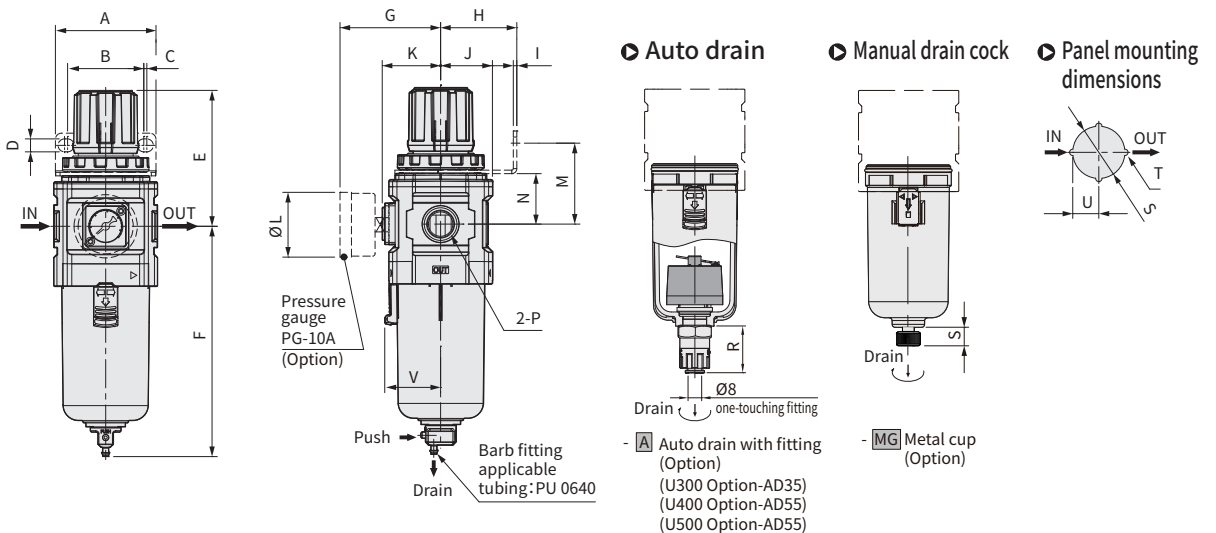
Dimensions

CHELIC

UFR 200 - W Standard



UFR 300 ~ 500 - W Standard



Unit:mm

Mark Model	A	B	C	D	E	F	G	H	I	J	ØL	M	N	V	PG 22N pressure gauge	Pressure swtich	Panel mounting dimensions			Auto drain	Manual drain cock	Female thread
															K	K	U	ØS	ØT	R	S	P
UFR 200	39.9	29.4		5.4	66.1	114.5	54.4	30	2	20	42.5	46.7	27.7		26.7	40.2	14.2	28.8	1.8	13	3	1/8, 1/4
UFR 300	54	29.5	6.5	6.5	77.6	137.1	58.7	44.1	2	26	42.5	47.4	30	30.4	31	44.5	18	36.5	4.3	34.5	12.6	1/4, 3/8
UFR 400	66	50	2	8.5	89.2	151.1	66	50	2.3	34	42.5	53.1	33.1	36.7	38.3	51.8	22.5	45.5	6	34.5	12.6	1/4, 3/8, 1/2
UFR 500	72	50	2	8.5	92.2	151.8	66	50	2.3	34	42.5	56.2	36.2	36.7	38.3	51.8	22.5	45.5	6	34.5	12.6	3/4