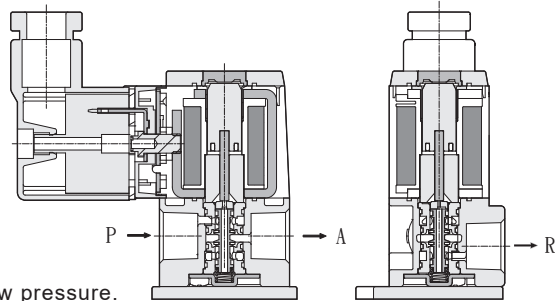


SKV series 3/2 Single Unit Solenoid Valve

Product features

CHELIC

Internal structure

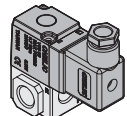

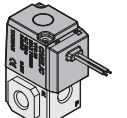


※ Applicable to the direct operation with vacuum and low pressure.

Specification

Item	Model	SKV 507
Fluid		Air
Pressure range	kgf/cm ² (kPa)	0~7.0 (0~700)
Ambient and fluid temperature	℃	5~60
Pilot type		Direct operated
Number of positions		3/2-position
Type of actuation		Normally closed
Effective orifice	mm ² (CV)	3.8(0.21)
Manual override		Press: No Lock
Port size		Rc 1/8, Rc1/4
Lubrication		Lubrication free type

Code of order

SKV	507	01		DC24	K	C1
SKV series Solenoid valve	Model	Port size	Pressure	Voltage	Electrical entry	Bracket type
	507 series	01 : Rc 1/8 02 : Rc 1/4	None positive pressure V Vacuum	Standard: 24 VDC/5.5W	DIN terminal :  K	Vertical mounting bracket  C 1 ※ None: no bracket
					Grommet :  W	

(Wire length about 300mm)

ISO

SRU

SRUB

SMU

SMUB

SKU

SKB

SKV

SV310

SWB

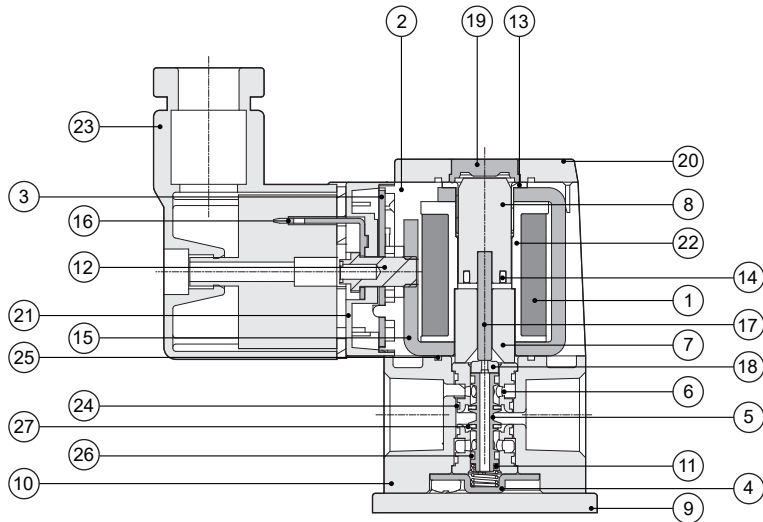
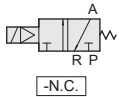
SKV series 3/2 Single Unit Solenoid Valve

Product features

CHELIC

Internal structure

- 3 port 2-position single



Components and Material list

NO.	Item	Material	NO.	Item	Material
01	Wire	Cooper	15	U plate	Iron
02	Coil	Polyester	16	DIN pin	Iron
03	PCB board	-	17	Spring bushing	Stainless steel
04	Rear cover	Iron	18	Drive shaft	POM
05	Inner shaft	Aluminum alloy	19	Push bottom	Rubber
06	Outer shaft	Aluminum alloy	20	Coil cover	Polyester
07	Coil insert bushing	Stainless steel	21	PCB LED cover	Polycarbonate
08	Spring bushing	Stainless steel	22	Bobbin	Polyester
09	Body plate	Iron	23	DIN box	-
10	Body	Aluminum alloy	24	Outer shaft O-ring	NBR
11	Shaft spring	Stainless steel	25	O-ring	NBR
12	Cooper pin	Cooper	26	Inner shaft O-ring	NBR
13	Bush	Cooper	27	Inner shaft packing	NBR
14	Cooper wire	Cooper			

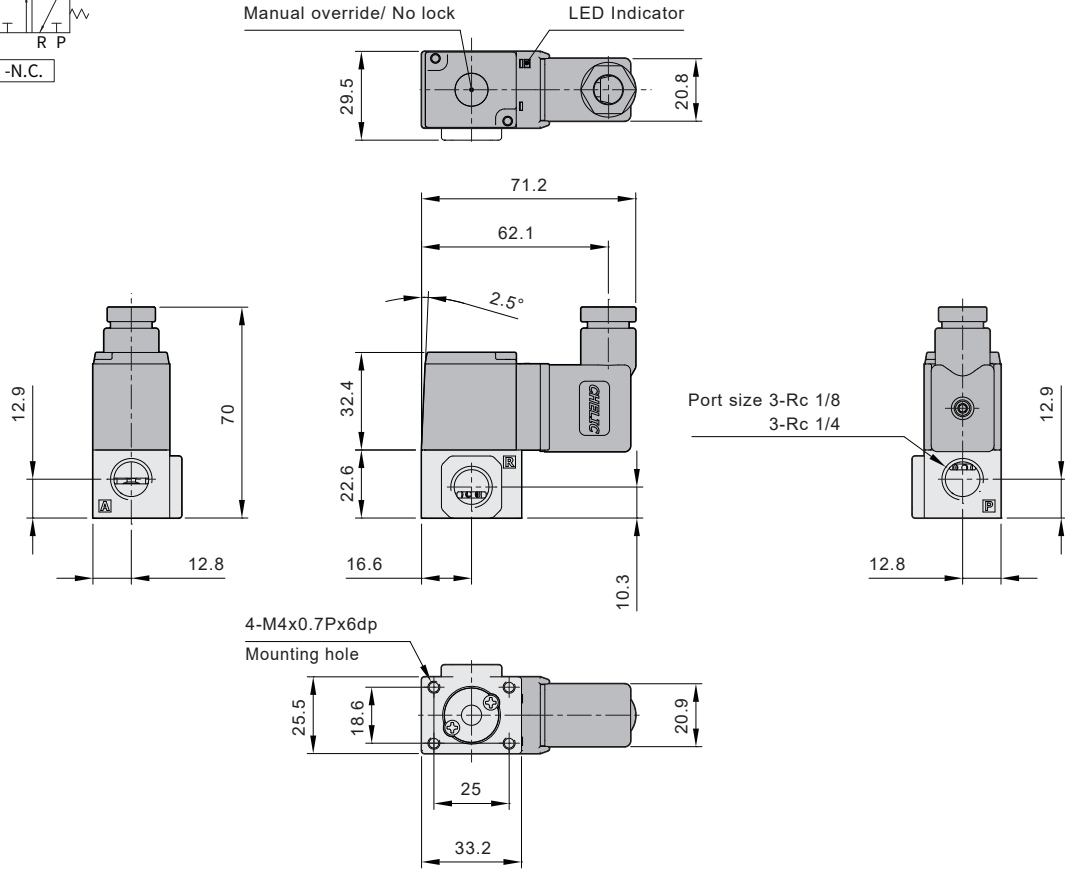
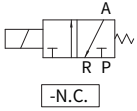
SKV series 3/2 Single Unit Solenoid Valve

Dimensions/ Single unit type

CHELIC

SKV 507(01)

3 port 2-position single



ISO

SRU

SRUB

SMU

SMUB

SKU

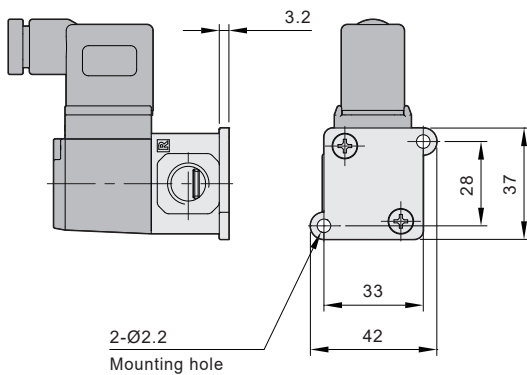
SKB

SKV

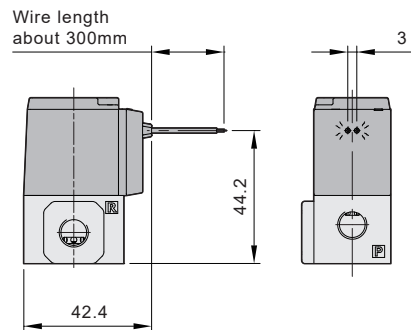
SV310

SWB

Vertical fixing bracket type - C1



Grommet - W



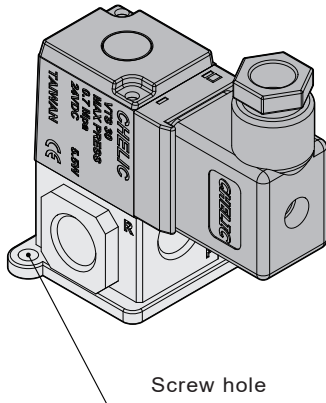
SKV series 3/2 Single Unit Solenoid Valve

Accessories/ Installation

CHELIC

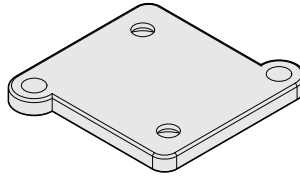
Vertical mounting (C1)

SKV 507 series



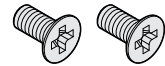
Manifold accessory

SKV 507 series



Mounting plate

3F50200286



Mounting screw

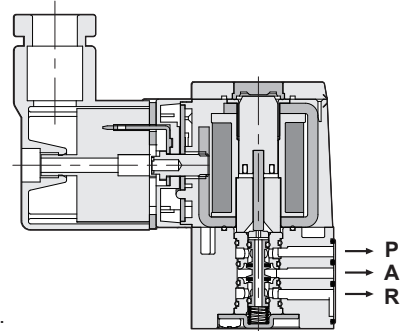
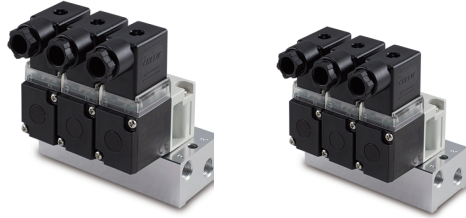
M4x5L : 20320075

SKV-U series 3/2 Base Mounted Manifold Solenoid Valve

Product features

CHELIC

Internal structure

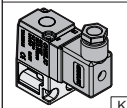
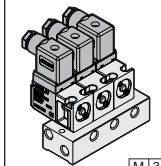
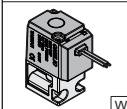


※ Applicable to the direct operation with vacuum and low pressure.

Specification

Item	Model	SKV 507U
Fluid		Air
Pressure range	kgf/cm ² (kPa)	0 ~ 7.0 (0 ~ 700)
Ambient and fluid temperature	°C	5 ~ 60
Pilot type		Direct operated
Number of positions		3/2-position
Type of actuation		Normally closed
Effective orifice	mm ² (CV)	3.06(0.17)
Manual override		Press: No Lock
Port size		Rc 1/8
Lubrication		Lubrication free type

Code of order

SKV	-	507	-	U	-		-		-	DC24	-	K	-	M	3
SKV series Solenoid valve		Model		Valve type		Manifold type		Pressure		Voltage		Electrical entry		Manifold	
		507 series		Mark Type		Mark Thread Note		None Positive pressure		Standard: 24V DC/5.5W		DIN terminal:			
				U Base mount type		None - Single		V Vacuum							
						01 Rc 1/8 Manifold						Grommet:			
															
												(Wire length about 300mm)			
														None: Without manifold	
														M1 = 1 sets	
														M2 = 2 sets	
														M3 = 3 sets	
														
														M10 = 10 sets	

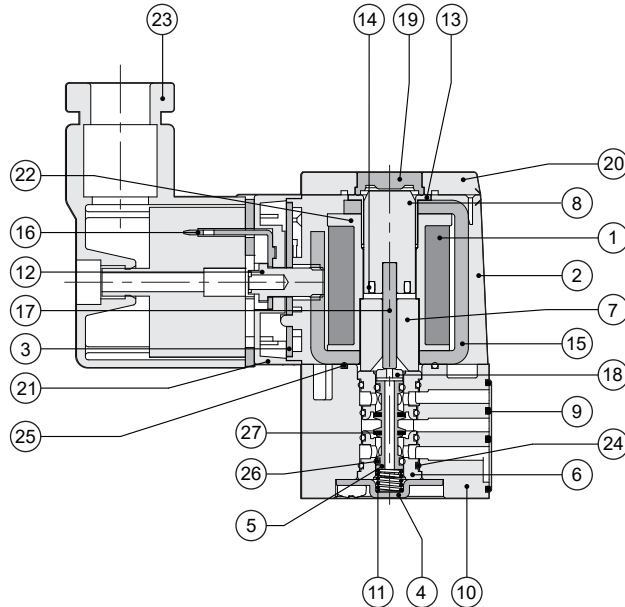
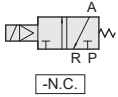
SKV-U series 3/2 Base Mounted Manifold Solenoid Valve

Product features

CHELIC

Internal structure

- 3 port 2-position single



NO.	Item	Material	NO.	Item	Material
01	Wire	Cooper	15	U plate	Iron
02	Coil	Polyester	16	DIN pin	Iron
03	PCB board	-	17	Spring bushing	Stainless steel
04	Rear cover	Iron	18	Drive shaft	POM
05	Inner shaft	Aluminum alloy	19	Push bottom	Rubber
06	Outer shaft	Aluminum alloy	20	Coil cover	Polyester
07	Coil insert bushing	Stainless steel	21	PCB LED cover	Polycarbonate
08	Moveable plate	Stainless steel	22	Bobbin	Polyester
09	Manifold gasket	Rubber	23	DIN box	-
10	Body	Aluminum alloy	24	Outer shaft O-ring	NBR
11	Shaft spring	Stainless steel	25	Body O-ring	NBR
12	Cooper pin	Cooper	26	Inner shaft O-ring	NBR
13	Bush	Cooper	27	Inner shaft Packing	NBR
14	Cooper wire	Cooper			

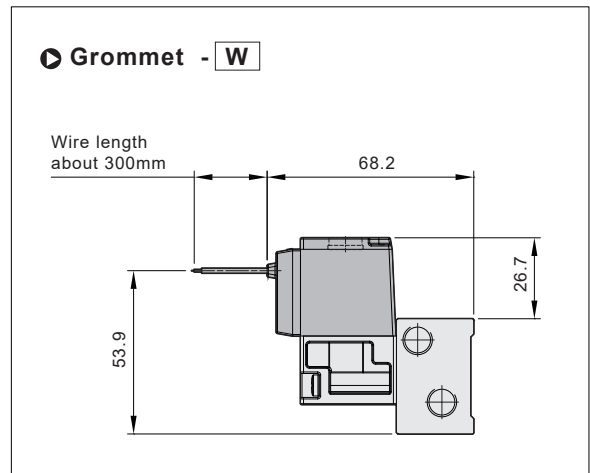
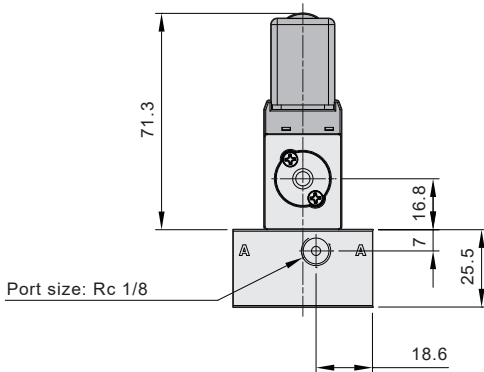
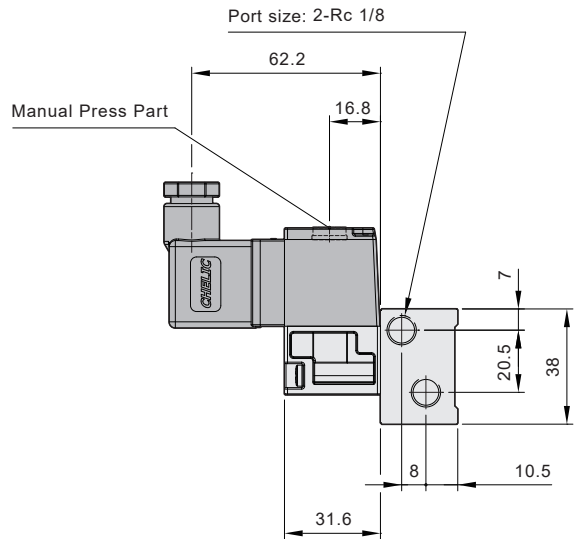
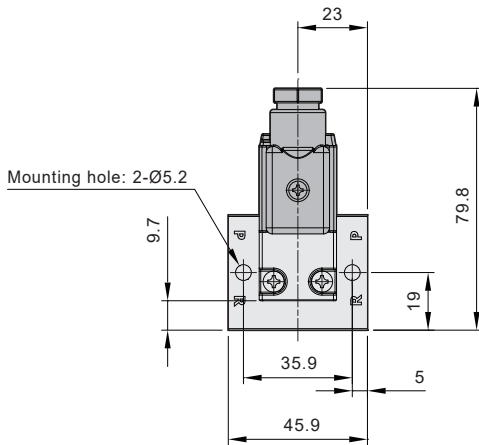
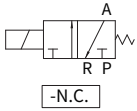
SKV-U series 3/2 Base Mounted Manifold Solenoid Valve

Dimensions/ Single unit type

CHELIC

SKV 507U - M1

● 3 port 2-position single



ISO

SRU

SRUB

SMU

SMUB

SKU

SKB

SKV

SV310

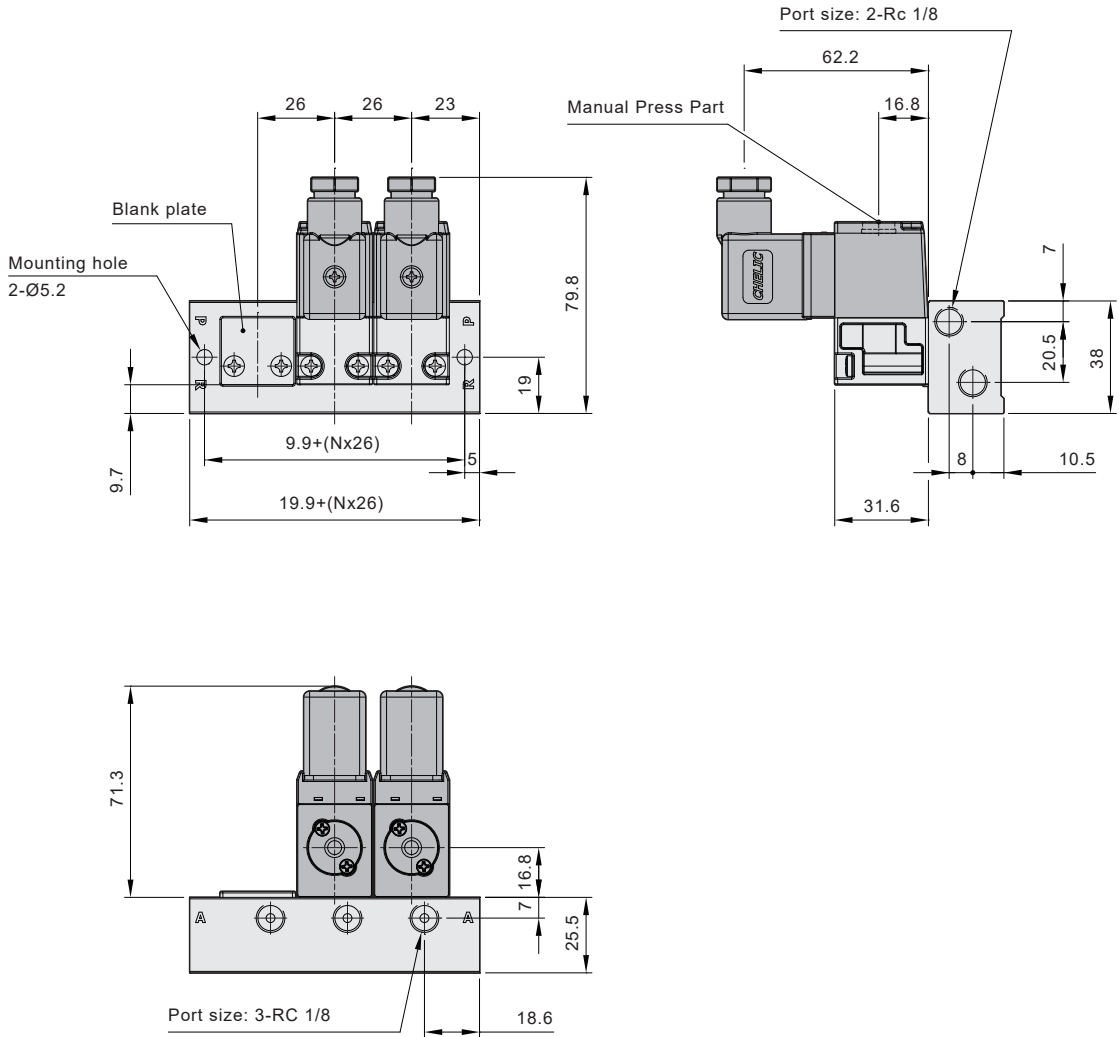
SWB

SKV-U series 3/2 Base Mounted Manifold Solenoid Valve

Dimensions/ Manifold type

CHELIC

SKV 507U series Manifold dimension



● Note: blank plate is reserved for solenoid valve. Leakproof rubber gasket is attached.

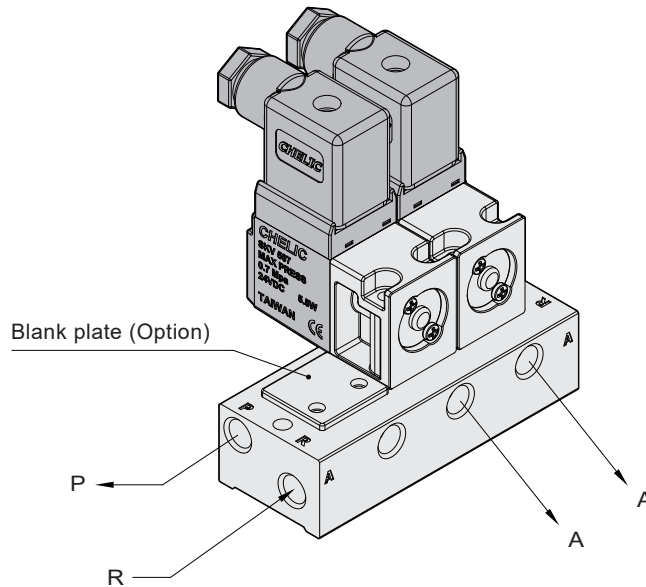
SKV-U series 3/2 Base Mounted Manifold Solenoid Valve

Accessories/ Installation

CHELIC

Manifold

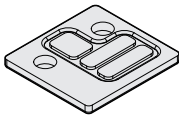
SKV 507U series



Manifold accessory

SKV 507U series

※ The accessories of blank plate.



Blank plate

3F50200317



Gasket

20210258



Mounting screw

M4x5L: 20320075

ISO

SRU

SRUB

SMU

SMUB

SKU

SKB

SKV

SV310

SWB