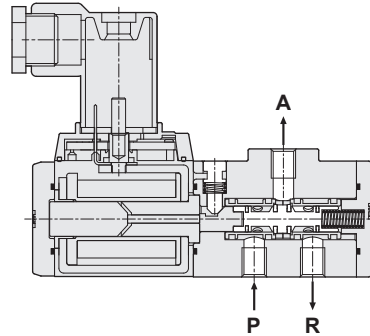
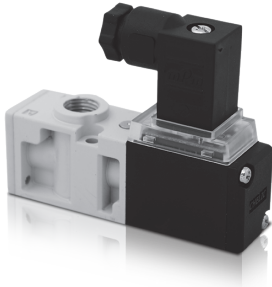


SKB series 3/2 Direct Operated Solenoid Valve

Product features

CHELIC

Internal structure



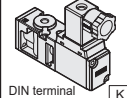
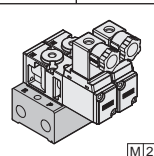
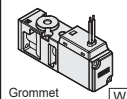
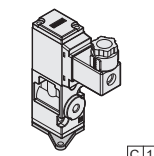
※ Applicable to the direct operation with vacuum and low pressure.

Specification

Item	Model	SKB 300
Fluid		Air
Pressure range	kgf/cm ² (kPa)	0 ~ 7.0 (0 ~ 700)
Ambient and fluid temperature	℃	5 ~ 60
Pilot type		Direct operated
Number of positions		3/2-position
Type of actuation		Normally closed
Effective orifice	mm ² (CV)	27(0.15)
Manual override		Press
Port size		M5, Rc 1/8
Lubrication		Lubrication free type

Code of order

SKB series Solenoid valve

SKB	3	10	M5		DC24	K	M	2
	Model	Coil q'ty	Port size	Pressure	Voltage	Electrical entry	Manifold	
	3: 300 series	10: Single	M5: M5x0.8P 1: Rc 1/8	None positive pressure V Vacuum	Standard: 24 VDC / 5.9W	Standard:  DIN terminal K	 M2	
						 Grommet W (Wire length about 300mm)	None: Without manifold M2 = 2 sets M3 = 3 sets M15 = 15 sets	
							 C1	

Single unit:
Vertical mounting for single unit only

ISO

SRU

SRUB

SMU

SMUB

SKU

SKB

SKV

SV310

SWB

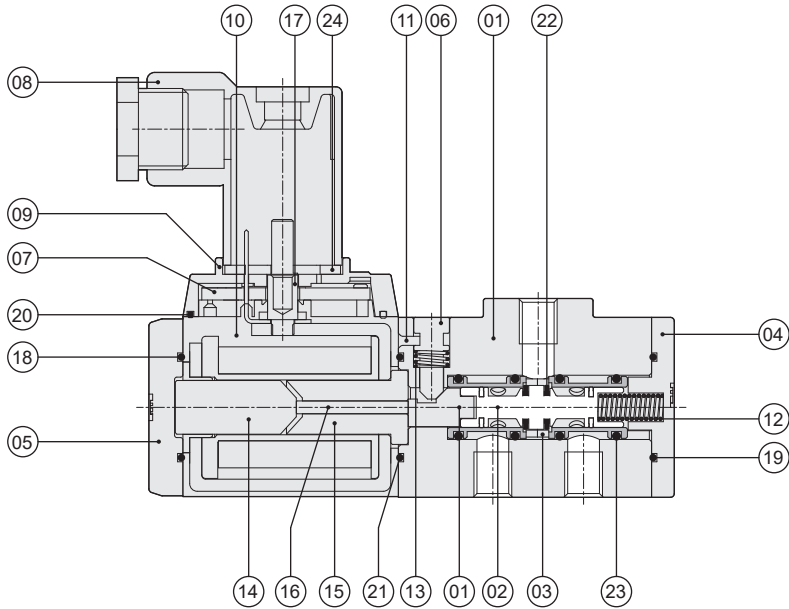
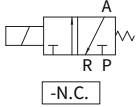
SKB series 3/2 Direct Operated Solenoid Valve

Product features

CHELIC

Internal structure

- 3 port 2-position single



Components and Material list

NO.	Item	Material	NO.	Item	Material
01	Body	Aluminum alloy	13	Manual override spring	Stainless steel
02	Inner shaft	Aluminum alloy	14	Spring bushing	Stainless steel
03	Outer shaft	Aluminum alloy	15	Coil insert bushing	Stainless steel
04	Rear cover	Polyester	16	Acting rod	Stainless steel
05	Coil cover	Polyester	17	Fixed cooper nail	Cooper
06	Manual override	Cooper	18	Coil cover O-ring	NBR
07	PCB board	—	19	Rear cover O-ring	NBR
08	DIN box	—	20	PCB shell gasket	NBR
09	PCB shell	Polycarbonate	21	O-ring	NBR
10	Coil	Polyester	22	Inner shaft packing	NBR
11	Position iron plate	Stainless steel	23	Outer shaft O-ring	NBR
12	Rear cover spring	Stainless steel	24	Connector gasket	NBR

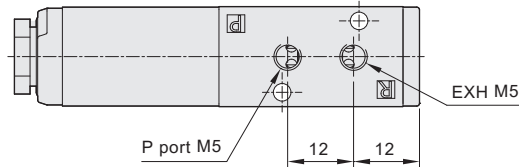
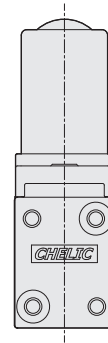
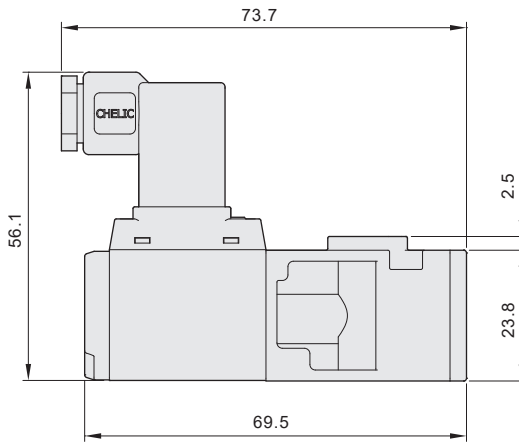
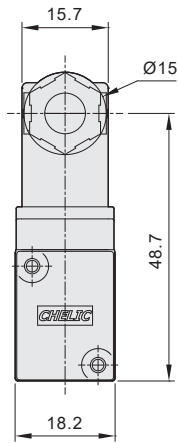
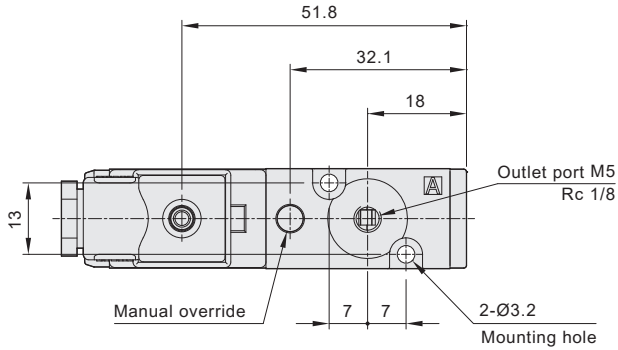
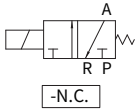
SKB series 3/2 Direct Operated Solenoid Valve

Dimensions/ Single unit type

CHELIC

SKB 310M5(01)

● 3 port 2-position single



ISO

SRU

SRUB

SMU

SMUB

SKU

SKB

SKV

SV310

SWB

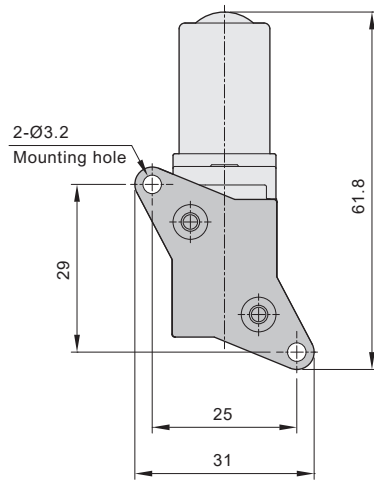
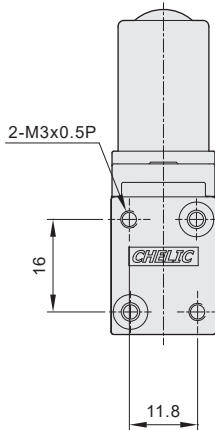
SKB series 3/2 Direct Operated Solenoid Valve

Dimensions/ Single unit type

CHELIC

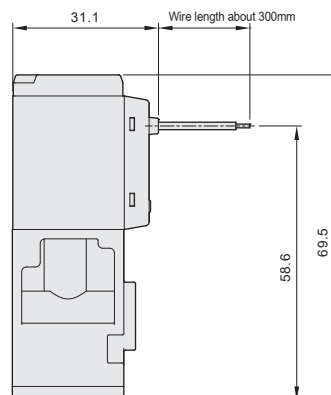
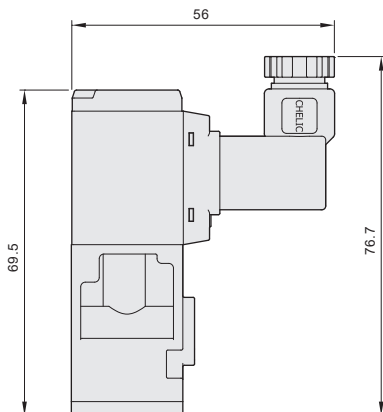
Standard -

Vertical fixing bracket type - C1



Standard - K

Grommet - W



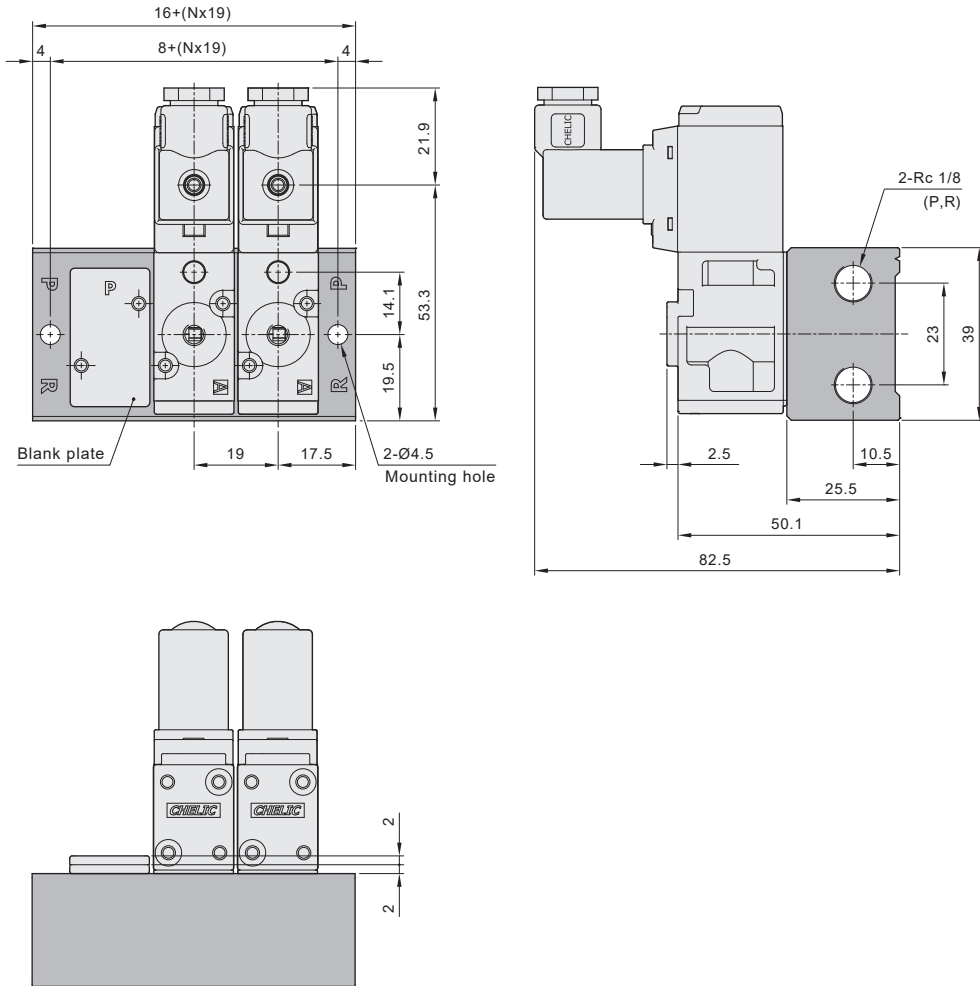
SKB series 3/2 Direct Operated Solenoid Valve

Dimensions/ Manifold type

CHELIC

SKB 300 series

Manifold dimension



Note: blank plate is reserved for solenoid valve. Leakproof rubber gasket is attached.

ISO

SRU

SRUB

SMU

SMUB

SKU

SKB

SKV

SV310

SWB

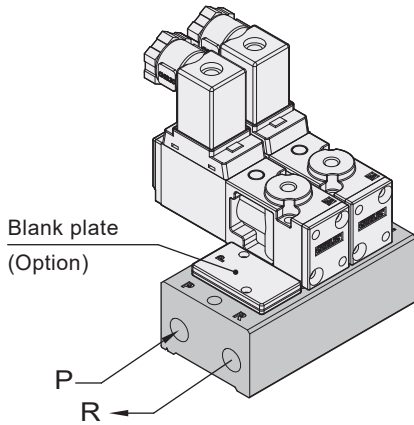
SKB series 3/2 Direct Operated Solenoid Valve

Accessories/ Installation

CHELIC

Manifold

SKB - 300 series

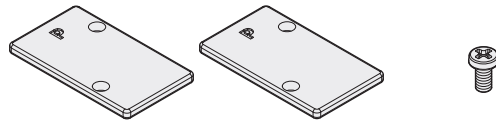


SKB-300 series

Manifold accessory

SKB - 300 series

※ The accessories of blank plate.



Blank plate

3F50200273

Gasket

20210233

Mounting screw

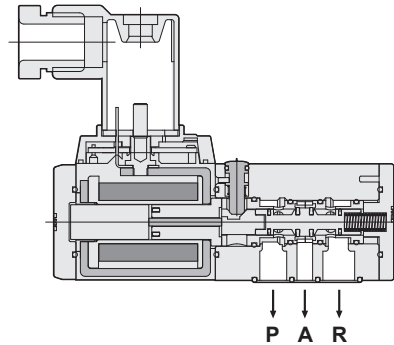
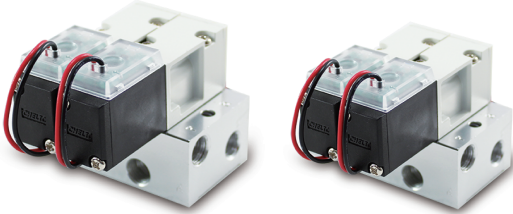
M3x8L : 20320049

SKB-U series 3/2 Direct Operated Manifold Solenoid Valve

Product features

CHELIC

Internal structure

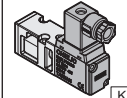
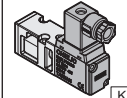
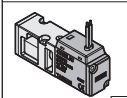
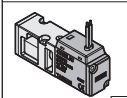
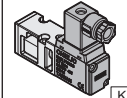
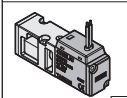


※ Applicable to the direct operation with vacuum and low pressure.

Specification

Item	Model	SKB 300U
Fluid		Air
Pressure range	kgf/cm ² (kPa)	0 ~ 7.0 (0 ~ 700)
Ambient and fluid temperature	℃	5 ~ 60
Pilot type		Direct operated
Number of positions		3/2-position
Type of actuation		Normally closed
Effective orifice	mm ² (CV)	4.14(0.23)
Manual override		Press: No Lock
Port size		Rc 1/8
Lubrication		Lubrication free type

Code of order

SKB	-	3		10		U	-	V		DC24	-	W	-	M	3																															
SKB series Solenoid valve		Model		Manifold type		Valve type		Pressure		Voltage		Electrical entry		Manifold																																
		3: 300 series		<table border="1"> <tr> <th>Mark</th> <th>Thread</th> <th>Note</th> </tr> <tr> <td>00</td> <td>-</td> <td>Single</td> </tr> <tr> <td>10</td> <td>Rc 1/8</td> <td>Manifold</td> </tr> </table>	Mark	Thread	Note	00	-	Single	10	Rc 1/8	Manifold		<table border="1"> <tr> <th>Mark</th> <th>Type</th> </tr> <tr> <td>U</td> <td>Base mount type</td> </tr> </table>	Mark	Type	U	Base mount type		<table border="1"> <tr> <td>None</td> <td>positive pressure</td> </tr> <tr> <td>V</td> <td>Vacuum</td> </tr> </table>	None	positive pressure	V	Vacuum		Standard : 24V DC/5.9W		<table border="1"> <tr> <td>DIN terminal :</td> </tr> <tr> <td></td> </tr> <tr> <td>K</td> </tr> </table>	DIN terminal :		K		<table border="1"> <tr> <td>Grommet :</td> </tr> <tr> <td></td> </tr> <tr> <td>W</td> </tr> </table>	Grommet :		W		<table border="1"> <tr> <td>None :</td> </tr> <tr> <td>Without manifold</td> </tr> <tr> <td>M1 = 1 sets</td> </tr> <tr> <td>M2 = 2 sets</td> </tr> <tr> <td>M3 = 3 sets</td> </tr> <tr> <td>.....</td> </tr> <tr> <td>M15 = 15 sets</td> </tr> </table>	None :	Without manifold	M1 = 1 sets	M2 = 2 sets	M3 = 3 sets	M15 = 15 sets
Mark	Thread	Note																																												
00	-	Single																																												
10	Rc 1/8	Manifold																																												
Mark	Type																																													
U	Base mount type																																													
None	positive pressure																																													
V	Vacuum																																													
DIN terminal :																																														
																																														
K																																														
Grommet :																																														
																																														
W																																														
None :																																														
Without manifold																																														
M1 = 1 sets																																														
M2 = 2 sets																																														
M3 = 3 sets																																														
.....																																														
M15 = 15 sets																																														

(Wire length about 300mm)

ISO

SRU

SRUB

SMU

SMUB

SKU

SKB

SKV

SV310

SWB

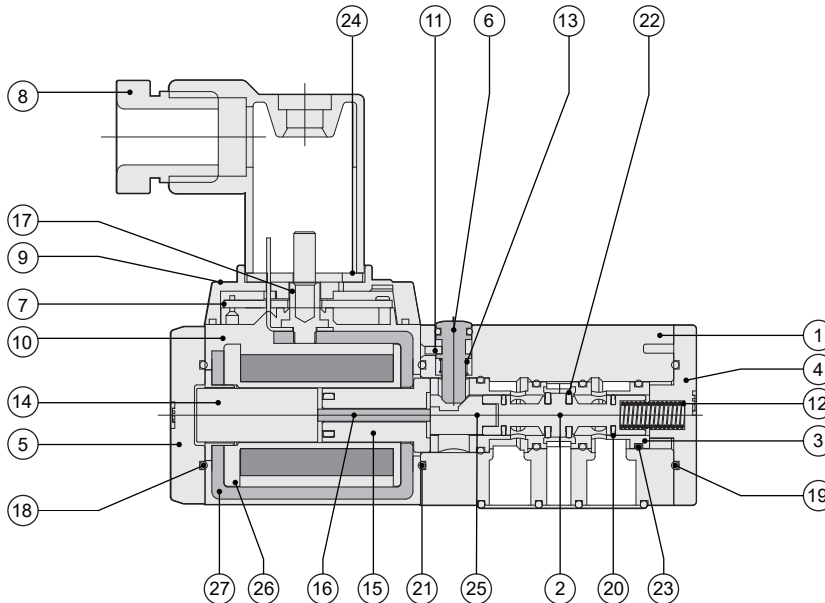
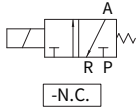
SKB-U series 3/2 Direct Operated Manifold Solenoid Valve

Product features

CHELIC

Internal structure

- 3 port 2-position single



Components and Material list

NO.	Item	Material	NO.	Item	Material
01	Body	Aluminum alloy	15	Coil insert bushing	Stainless steel
02	Inner shaft	Aluminum alloy	16	Acting rod	Stainless steel
03	Outer shaft	Aluminum alloy	17	Fixed cooper nail	Cooper
04	Rear cover	Polyester	18	Coil cover O-ring	NBR
05	Coil cover	Polyester	19	Rear cover O-ring	NBR
06	Manual override	Cooper	20	Inner shaft packing	NBR
07	PCB board	—	21	O-ring	NBR
08	DIN box	—	22	PCB shell gasket	NBR
09	PCB shell	Polycarbonate	23	Inner shaft packing	NBR
10	Coil	Polyester	24	Connector gasket	NBR
11	Position iron plate	Stainless steel	25	Drive shaft	POM
12	Rear cover spring	Stainless steel	26	Bobbin	Polyester
13	Manual override spring	Stainless steel	27	U plate	Iron
14	Spring bushing	Stainless steel			

SKB-U series 3/2 Direct Operated Manifold Solenoid Valve

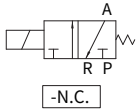
Dimensions/ Single unit type

CHELIC

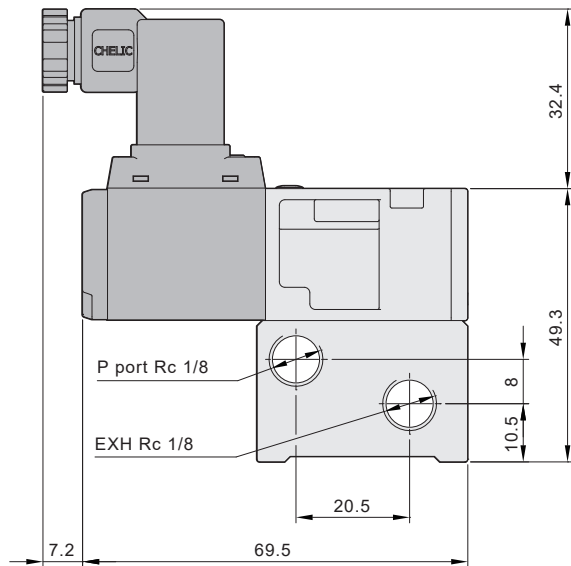
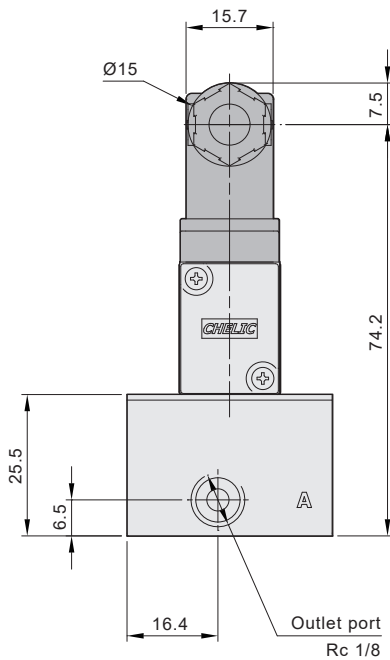
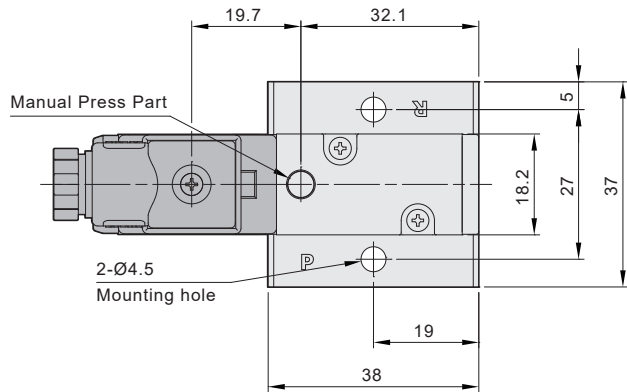
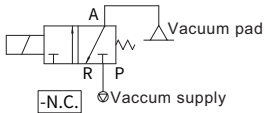
SKB 310U - M1

3 port 2-position single

- The symbol of under positive condition



- The symbol of under negative condition



ISO

SRU

SRUB

SMU

SMUB

SKU

SKB

SKV

SV310

SWB

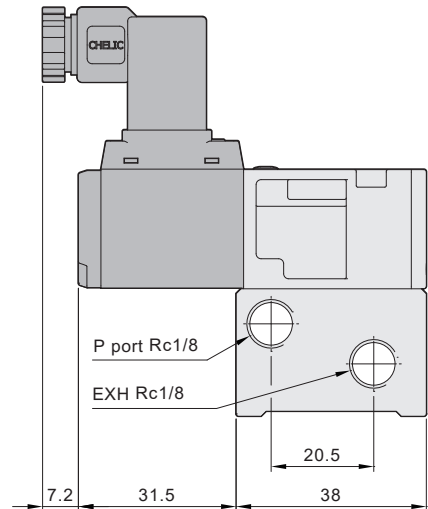
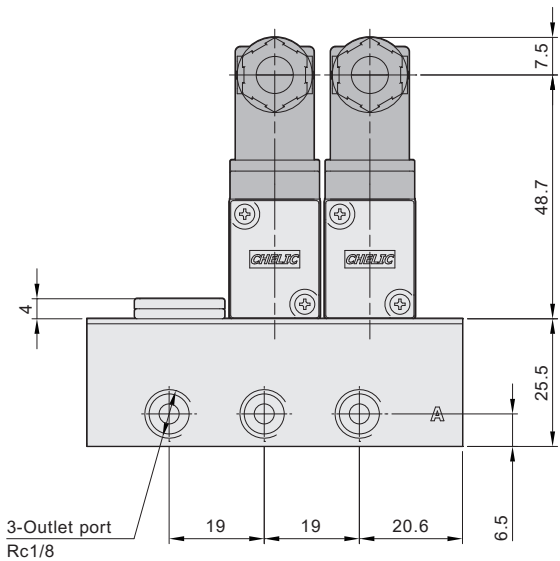
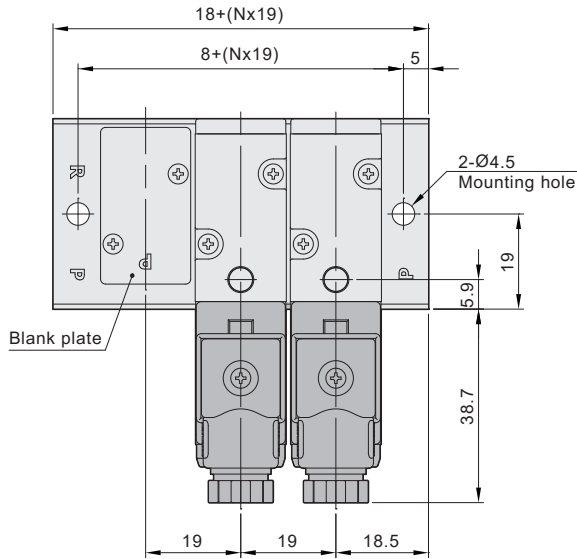
SKB-U series 3/2 Direct Operated Manifold Solenoid Valve

Dimensions/ Manifold type

CHELIC

SKB 300U series

Manifold dimension



Note: blank plate is reserved for solenoid valve. Leakproof rubber gasket is attached.

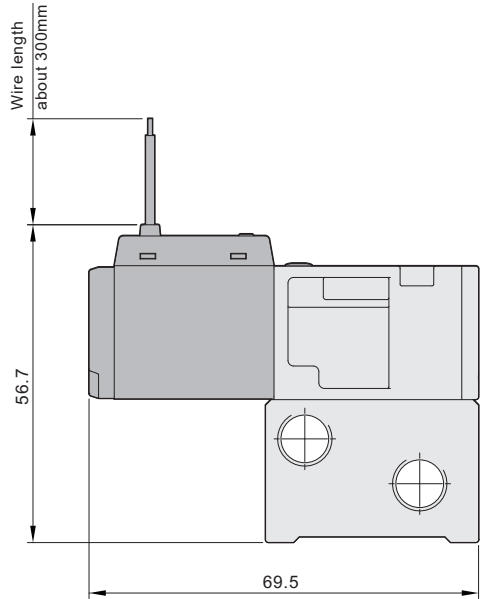
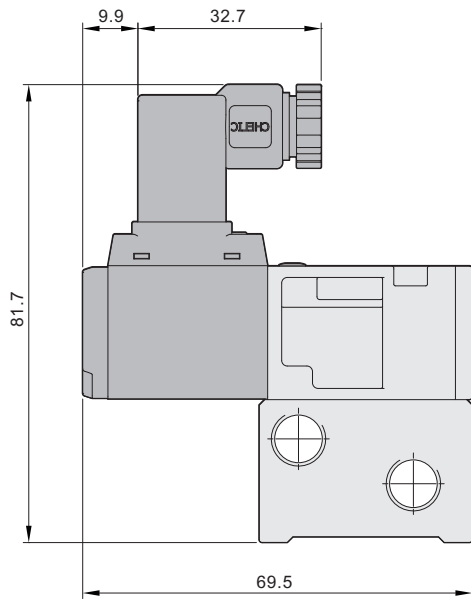
SKB-U series 3/2 Direct Operated Manifold Solenoid Valve

Dimensions/ Electrical entry

CHELIC

Standard - **K**

Grommet - **W**



Note: coil can be turned 360°

ISO

SRU

SRUB

SMU

SMUB

SKU

SKB

SKV

SV310

SWB

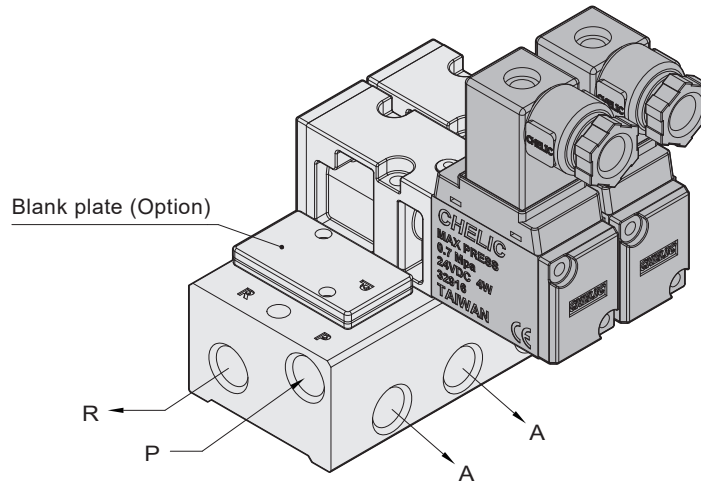
SKB-U series 3/2 Direct Operated Manifold Solenoid Valve

Accessories/ Installation

CHELIC

Manifold

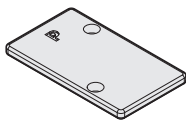
SKB - 300U series



Manifold accessory

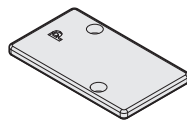
SKB - 300U series

※ The accessories of blank plate.



Blank plate

3F50200273



Gasket

20210233



Mounting screw

M3x8L : 20320049