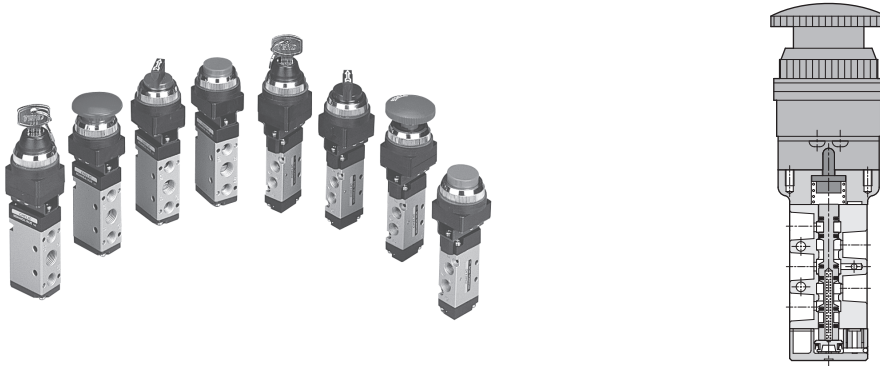


MV 230/ MV250 series Mechanical Valve

Product features/ Code of order

CHELIC

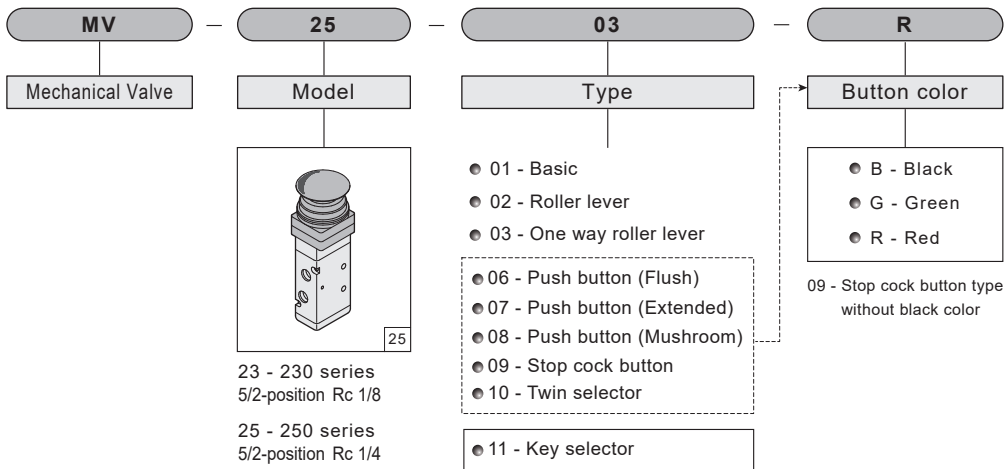
Internal structure



Specification

Item	Model	MV-230	MV-250
Fluid		Air	
Pressure range	Kgf/cm ² (KPa)	1 ~ 9 (100 ~ 900)	
Ambient and fluid temperature	°C	0 ~ 60	
Number of positions		5/2-position	
Type of actuation		Normally closed	
Effective orifice	mm ² (CV)	12 (0.67)	14 (0.78)
Port size	Rc(PT)	Rc 1/8 (Both sides piping)	Rc 1/4 (Both sides piping)
Lubrication		Lubrication free type	

Code of order

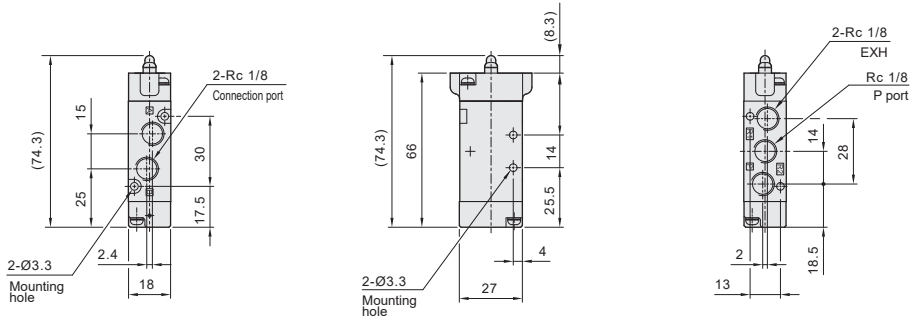


MV 230 series Mechanical Valve

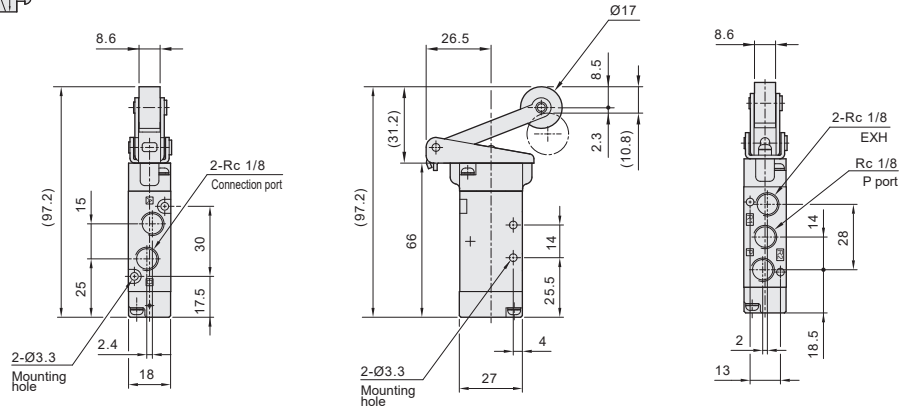
Dimensions

CHELIC

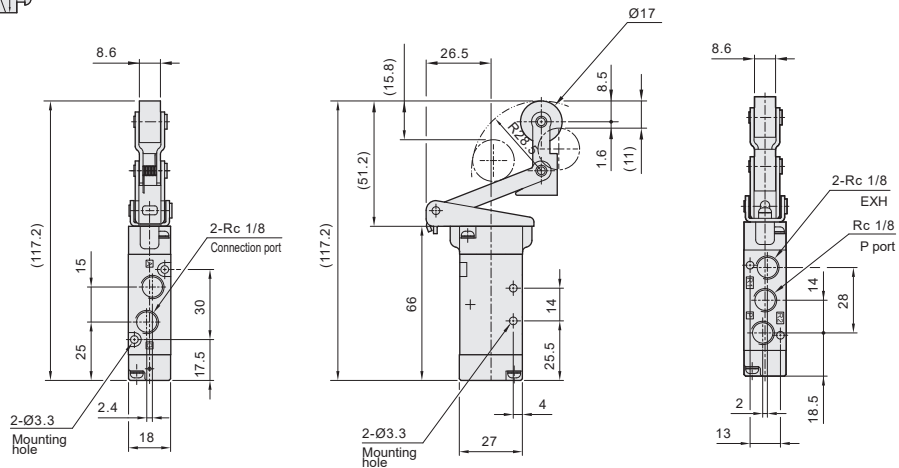
○ MV 23 - 01 Basic



○ MV 23 - 02 Roller lever



○ MV 23 - 03 One-way roller lever



MV

HVL

HVM

HVT

QE

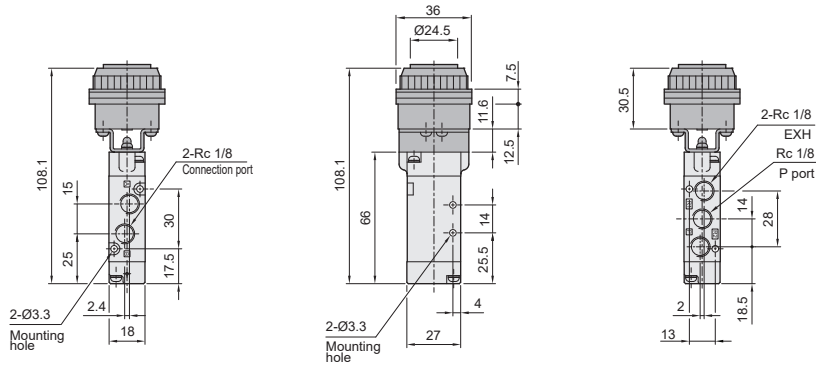
FVA

MV 230 series Mechanical Valve

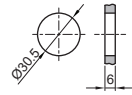
Dimensions

CHELIC

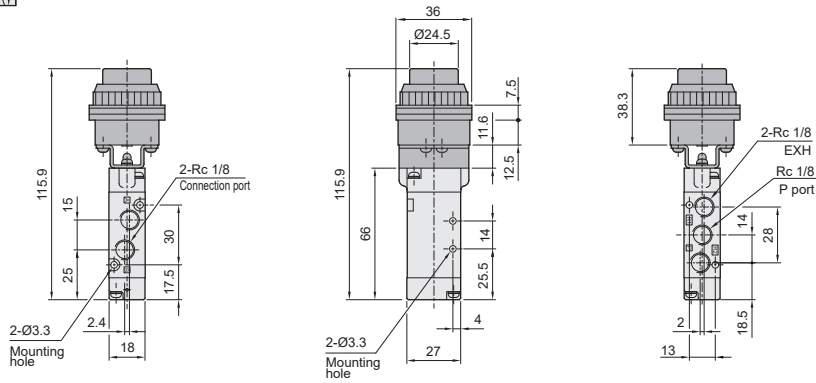
● MV 23 - 06 Push button (Flush)



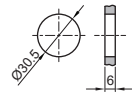
● Mounting hole size



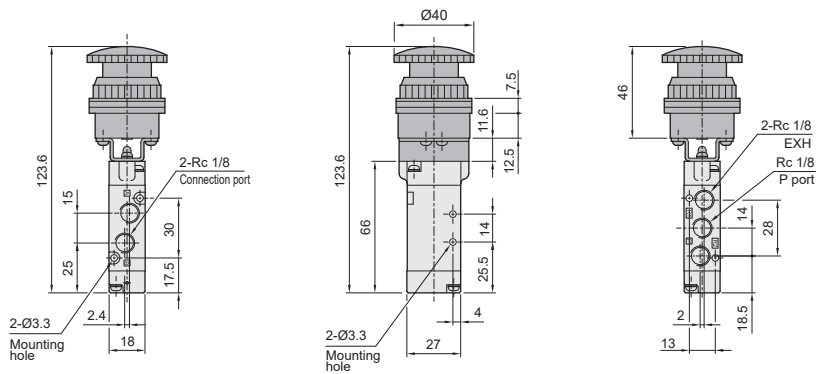
● MV 23 - 07 Push button (Extended)



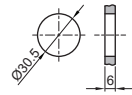
● Mounting hole size



● MV 23 - 08 Push button (Mushroom)



● Mounting hole size

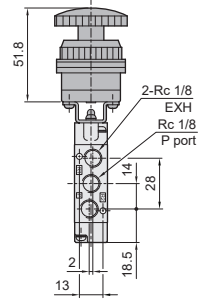
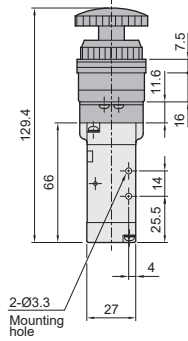
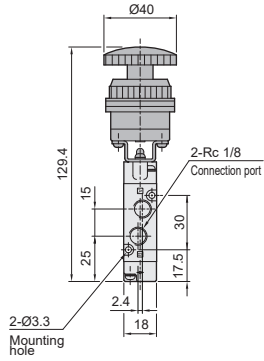


MV 230 series Mechanical Valve

Dimensions

CHELIC

● MV 23 - 09 Stop cock button/ Emergency stop



MV

HVL

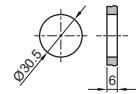
HVM

HVT

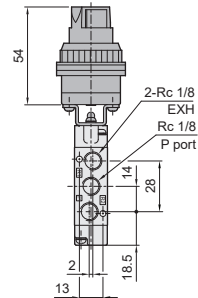
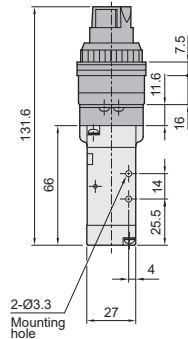
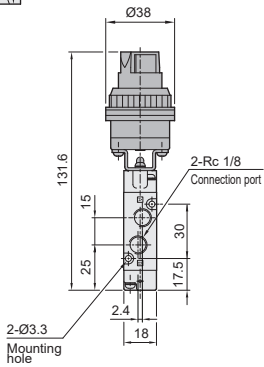
QE

FVA

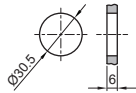
● Mounting hole size



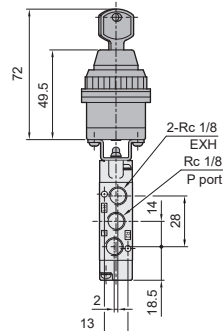
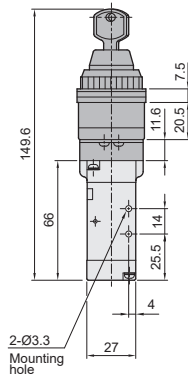
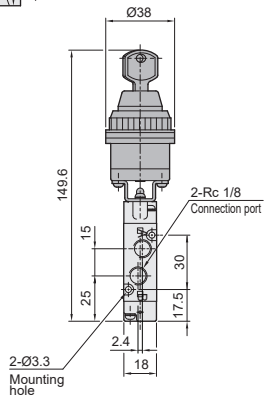
● MV 23 - 10 Twist selector/ Rotary positioning



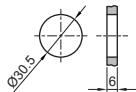
● Mounting hole size



● MV 23 - 11 Key selector/ Rotary positioning



● Mounting hole size

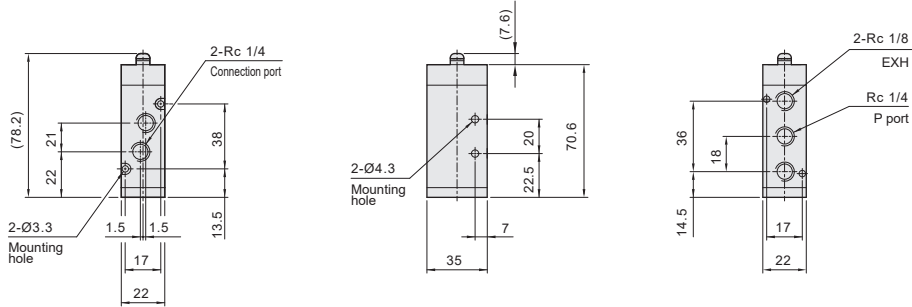
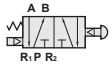


MV 250 series Mechanical Valve

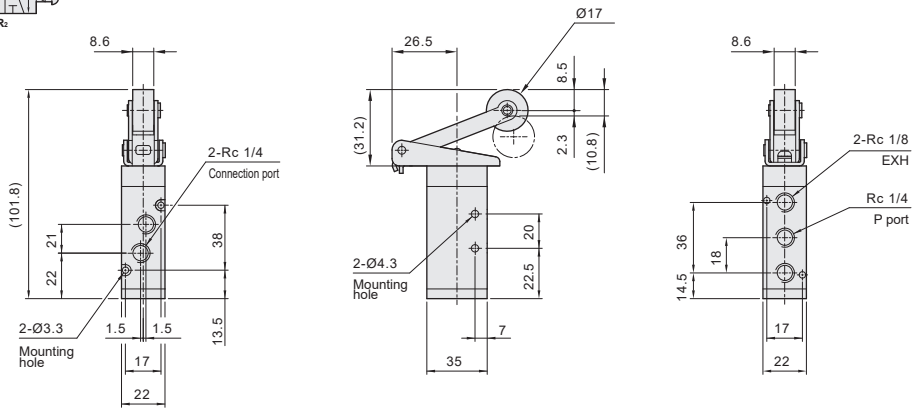
Dimensions

CHELIC

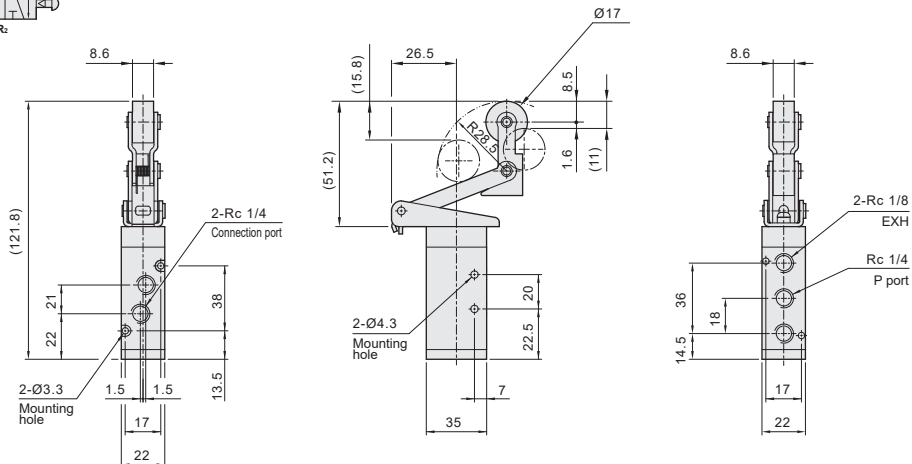
○ MV 25 - 01 Basic



○ MV 25 - 02 Roller lever



○ MV 25 - 03 One-way roller lever

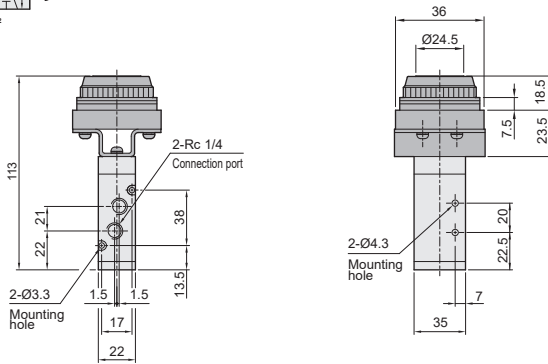
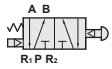


MV 250 series Mechanical Valve

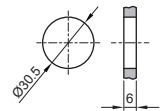
Dimensions

CHELIC

● MV 25 - 06 Push button (Flush)



● Mounting hole size



MV

HVL

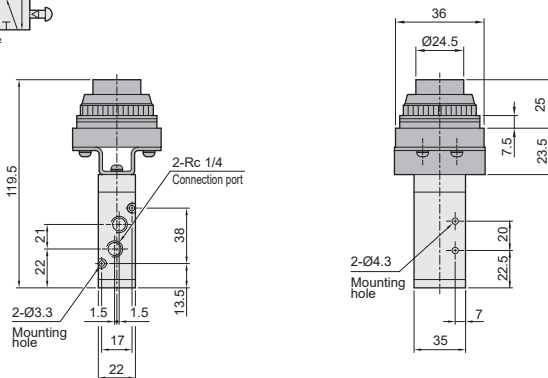
HVM

HVT

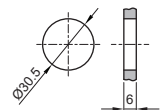
QE

FVA

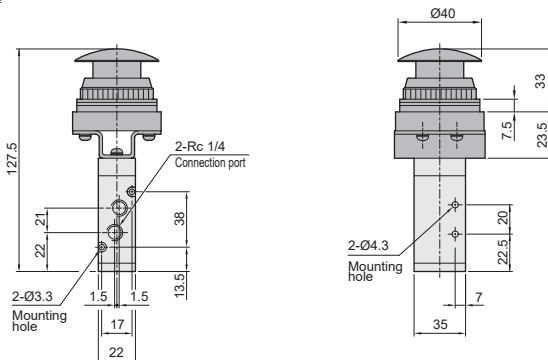
● MV 25 - 07 Push button (Extended)



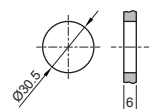
● Mounting hole size



● MV 25 - 08 Push button (Mushroom)



● Mounting hole size

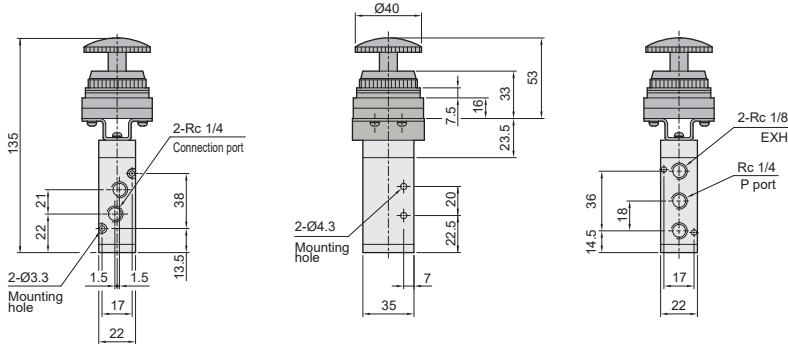


MV 250 series Mechanical Valve

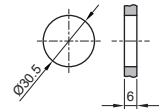
Dimensions

CHELIC

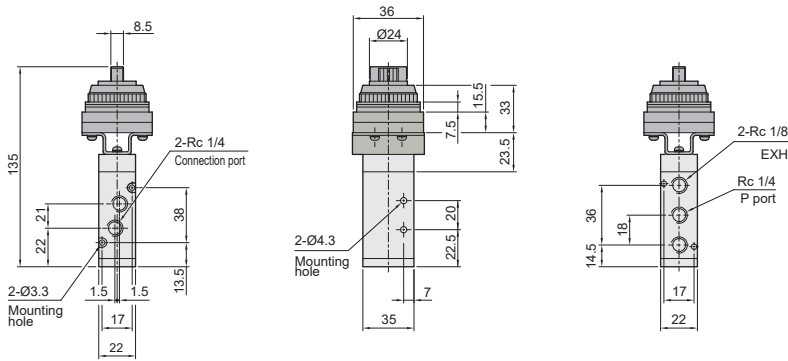
● MV 25 - 09 Stop cock button/ Emergency stop



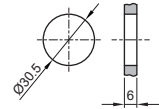
● Mounting hole size



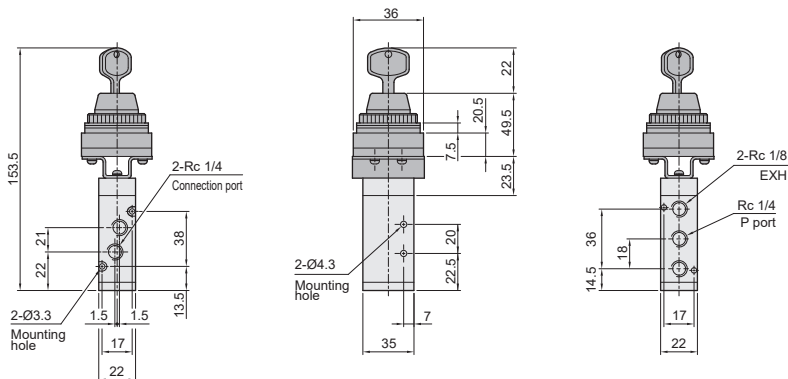
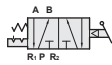
● MV 25 - 10 Twist selector/ Rotary positioning



● Mounting hole size



● MV 25 - 11 Key selector/ Rotary positioning



● Mounting hole size

