

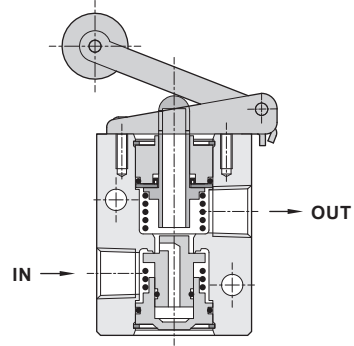
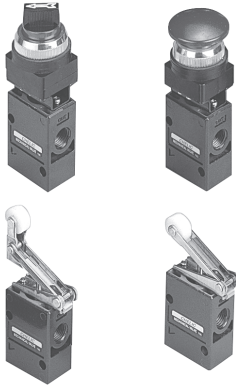
MV 200 series Mechanical Valve

Product features/ Code of order

CHELIC

Internal structure

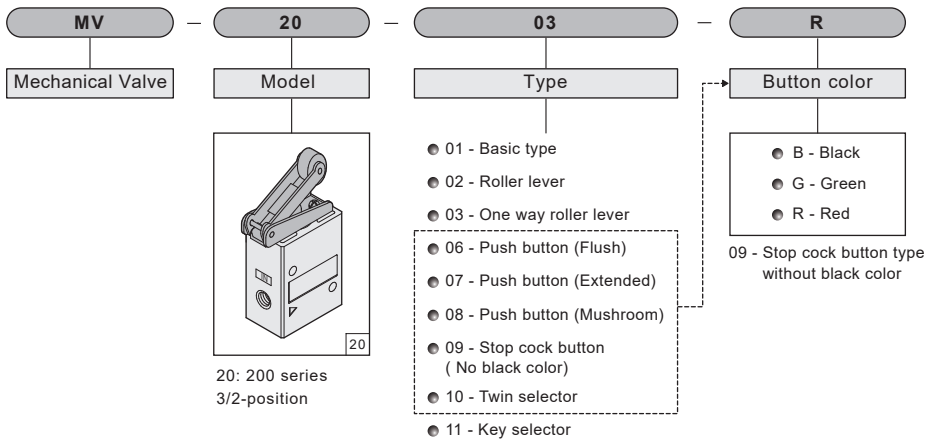
● MV-20-02 (Side connection / Roller lever type)



Specification

Item	Model	MV-200
Fluid		Air
Pressure range	Kgf/cm ² (KPa)	1 ~ 9 (100 ~ 900)
Ambient and fluid temperature	°C	5 ~ 60
Number of positions		3/2-position
Type of actuation		Normally closed
Effective orifice	mm ² (CV)	33 (1.84)
Port size	Rc(PT)	Rc 1/4 (Both sides piping)
Lubrication		Lubrication free type

Code of order

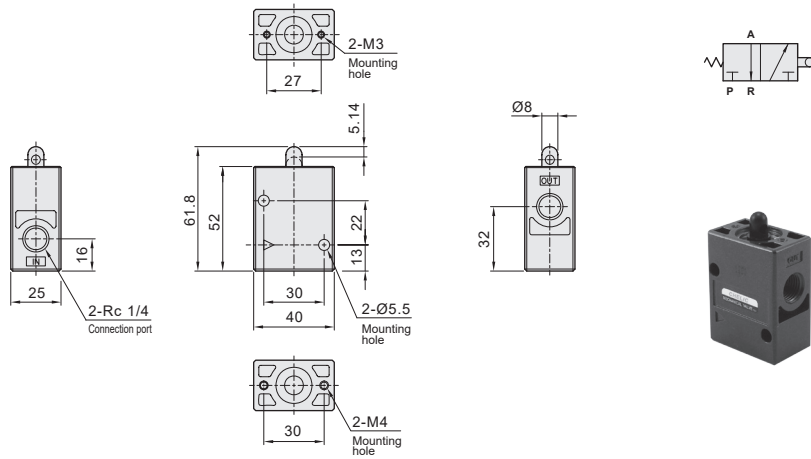


MV 200 series Mechanical Valve

Dimensions

CHELIC

● MV -20-01 BasicRoller lever



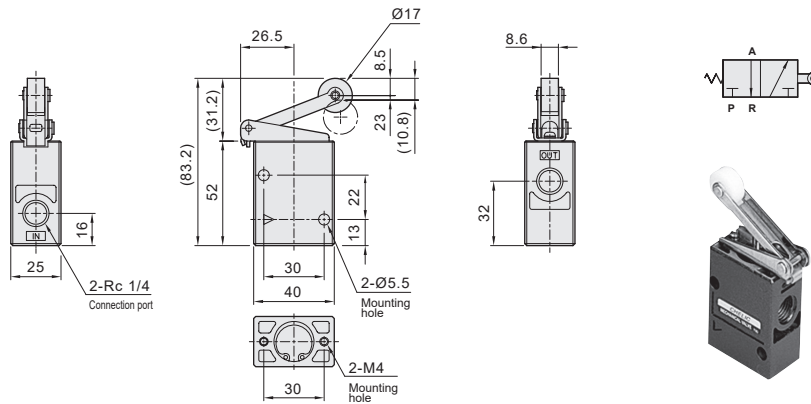
MV

HVL

HVM

HVT

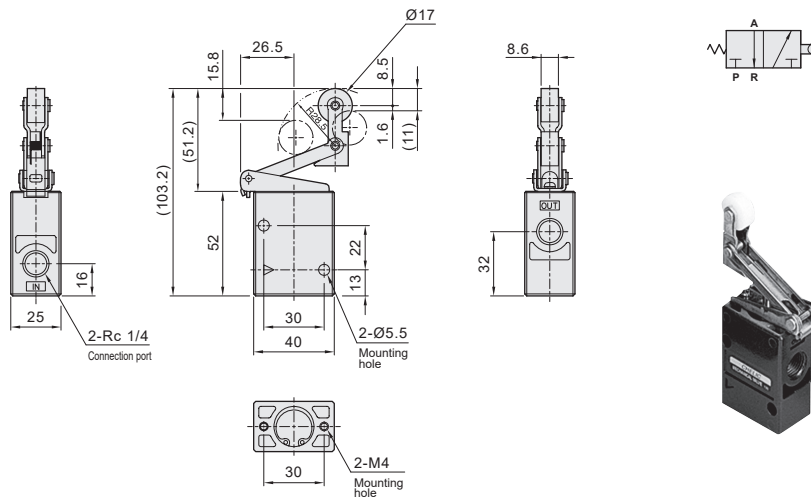
● MV -20-02 Roller lever



QE

FVA

● MV -20-03 One-way roller lever

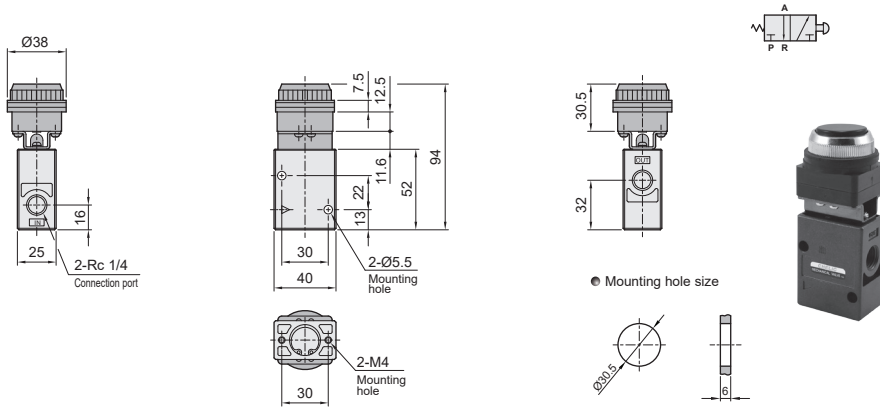


MV 200 series Mechanical Valve

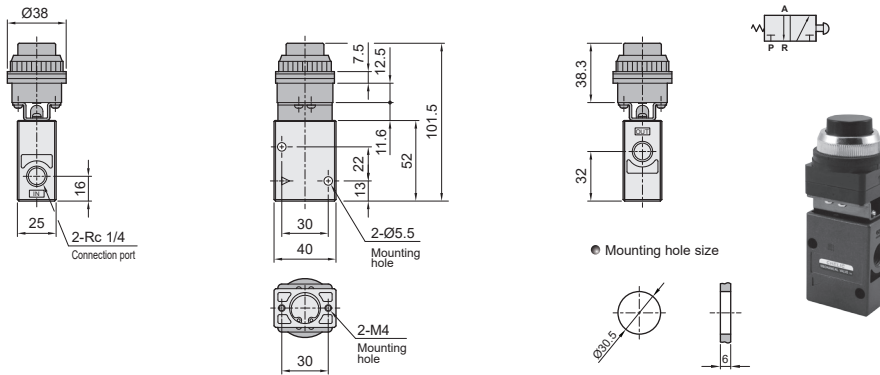
Dimensions

CHELIC

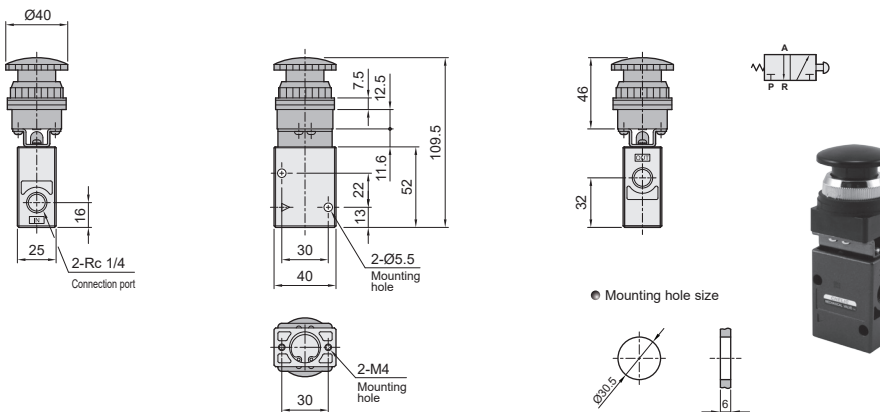
● MV 20-06 Push button (Flush)



● MV 20-07 Push button (Extended)



● MV 20-08 Push button (Mushroom)

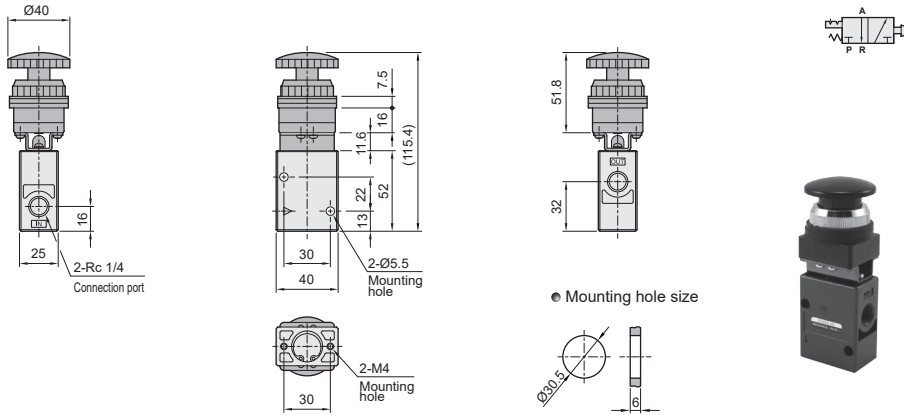


MV 200 series Mechanical Valve

Dimensions

CHELIC

● MV 20-09 Stop cock button/ Emergency stop



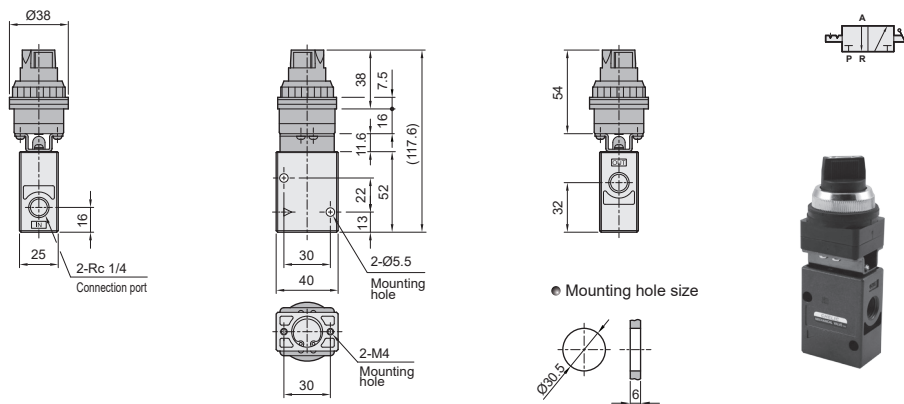
MV

HVL

HVM

HVT

● MV 20-10 Twist selector/ Rotary positioning



QE

FVA

● MV 20-11 Key selector/ Rotary positioning

