

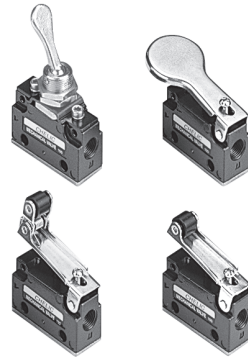
MV 150 series Mechanical Valve

Product features/ Code of order

CHELIC

Feature

- Manual override operation
- Multiple structural shapes control head available under different conditions.
- The multiple and facilitating positions installations.
- 3 port 2 position(Normally closed)



Specification

Item	Model	MV 15S	MV 15B	MV 15F
Fluid		Air		
Pressure range	kgf / cm ² (kPa)	1 ~ 9 (100 ~ 900)		
Ambient and fluid temperature	°C	5 ~ 60		
Number of positions		3/2		
Type of actuation		Normally closed		
Effective orifice(Cv factor)	mm ² (CV)	7 (0.39)		
Port size	mm	Rc 1/8 (Both sides piping)	M5x0.8p (Bottom piping)	Rc 1/8 (Both sides piping)
Lubrication		Lubrication free type		
Weight	g	85		

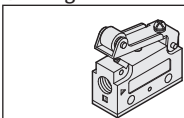
Code of order **MV 15 S - 06 - R**

— 1 — 2 — 3 — 4 —

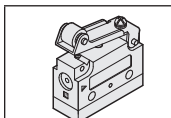
1	Mark	Model
	15	150 series

2	Mark	Connection port position
	S	Both sides piping/Standard
	B	Bottom piping
	F	Both sides piping/With Flange

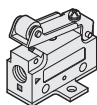
● Image



S : Both sides piping/Standard



B : Bottom piping



F : Both sides piping/With Flange

3	Mark	Type
	01	Basic
	02	Roller lever
	03	One way roller lever
	04	Toggle lever type
	05	Pressing
	06	Push button (Flush)
	07	Push button (Extended)
	08	Push button (Mushroom)
	09	Stop cock button
	10	Twin selector
	11	Key selector

4	Mark	Button color
	B	Black
	G	Green
	R	Red

- Only switch of 06 ~ 10 provides different color button options .
- 09 Stop cock button type without black color.

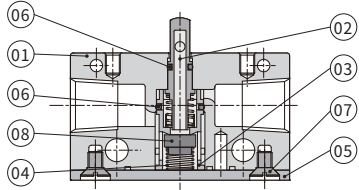
MV 150 series Mechanical Valve

Product features

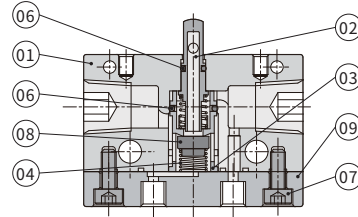
CHELIC

Internal structure

► MV-15S-01 (Both sides piping/Basic)



► MV-15B-01 (Bottom piping/Basic)



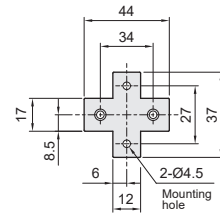
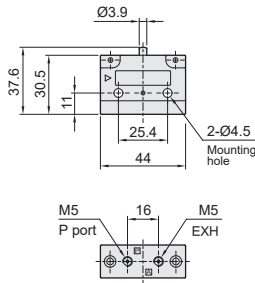
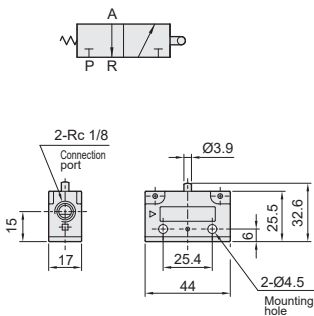
Components and material list

No.	Item	Material	No.	Item	Material	No.	Item	Material
01	Body	Copper alloy	04	C clip	Alloy steel	07	Body	Copper alloy
02	Shaft	Copper alloy	05	O-ring	NBR	08	Shaft	Copper alloy
03	Straight rod bracket	Aluminum alloy	06	O-ring	NBR	09	Straight rod bracket	Aluminum alloy

MV 15 S - 01 Basic

► S: Both sides piping/ Standard ► B: Bottom piping

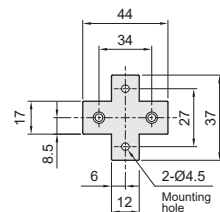
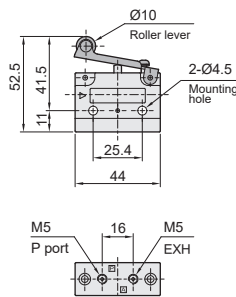
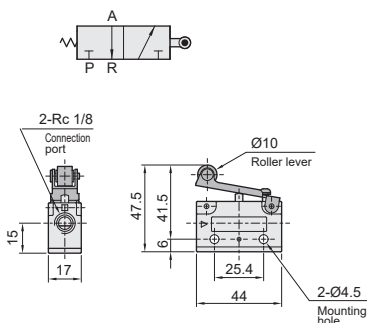
► F: With flange



MV 15 S - 02 Roller lever

► S: Both sides piping/ Standard ► B: Bottom piping

► F: With flange



MV

HVL

HVM

HVT

QE

FVA

MV 150 series Mechanical Valve

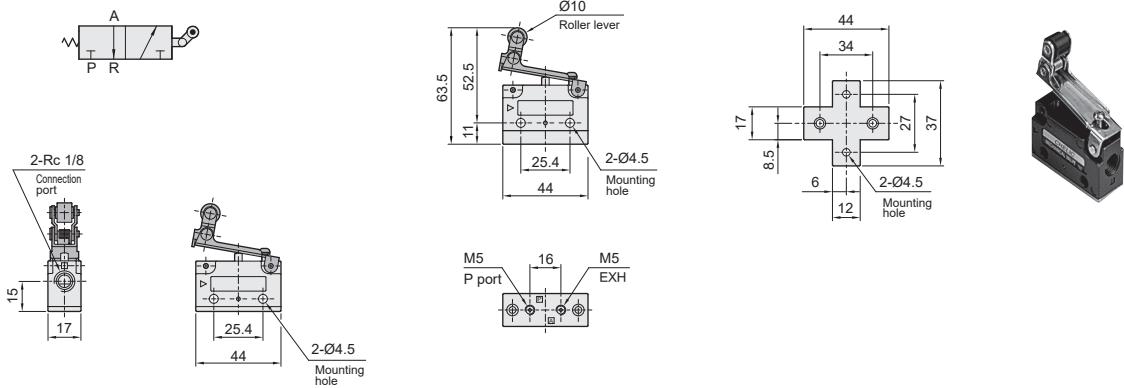
Dimensions

CHELIC

MV 15 S - 03 One way roller lever

► S: Both sides piping/ Standard ► B: Bottom piping

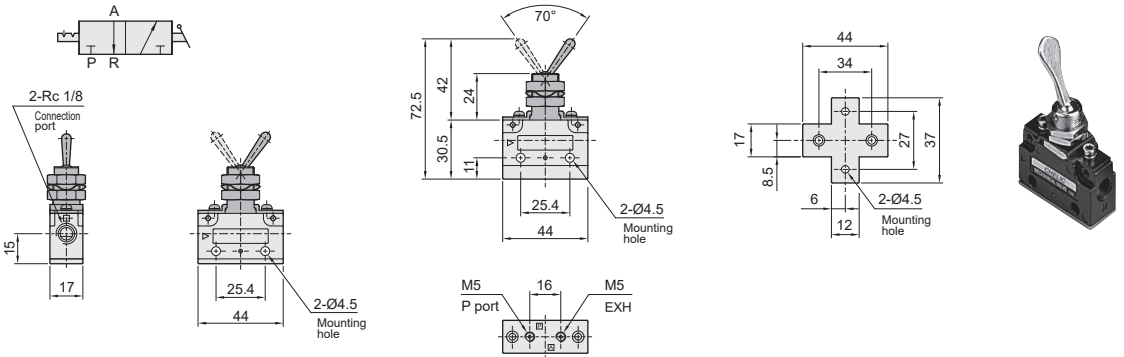
► F: With flange



MV 15 S - 04 Toggle lever type

► S: Both sides piping/ Standard ► B: Bottom piping

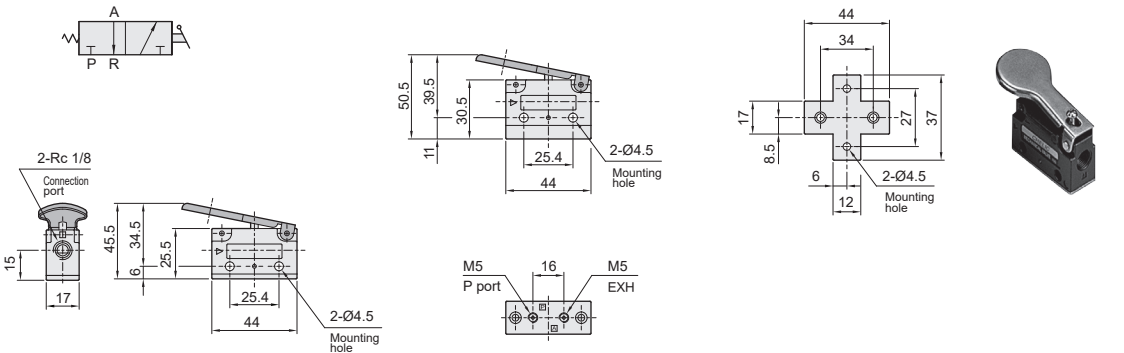
► F: With flange



MV 15 S - 05 Pressing

► S: Both sides piping/ Standard ► B: Bottom piping

► F: With flange



MV 150 series Mechanical Valve

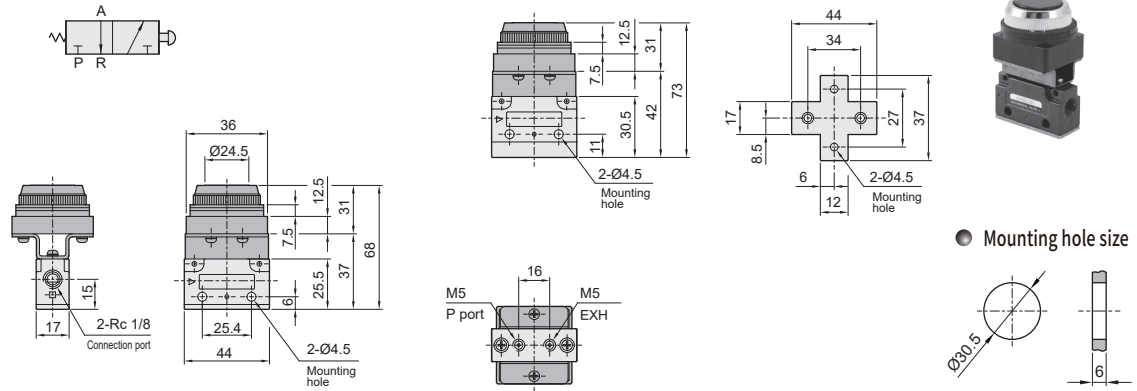
Dimensions

CHELIC

MV 15 S - 06 Push button (Flush)

► S: Both sides piping/ Standard ► B: Bottom piping

► F: With flange



MV

HVL

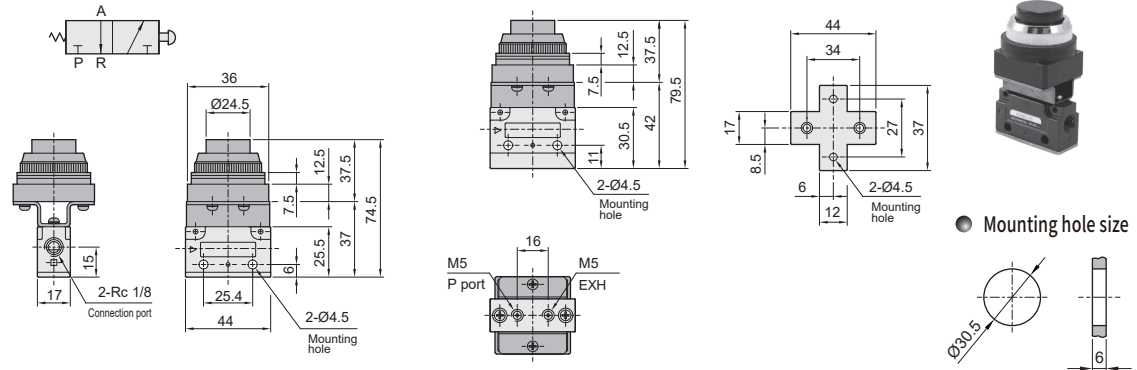
HVM

HVT

MV 15 S - 07 Push button (Extended)

► S: Both sides piping/ Standard ► B: Bottom piping

► F: With flange



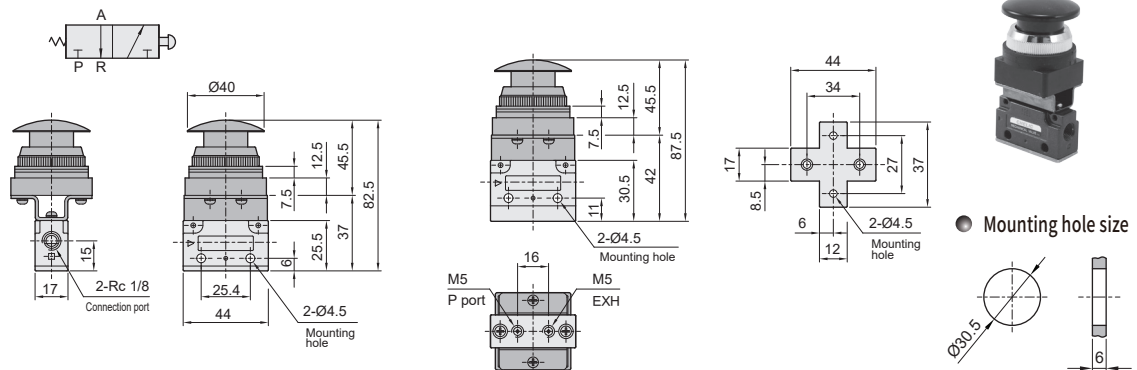
QE

FVA

MV 15 S - 08 Push button (Mushroom)

► S: Both sides piping/ Standard ► B: Bottom piping

► F: With flange



MV 150 series Mechanical Valve

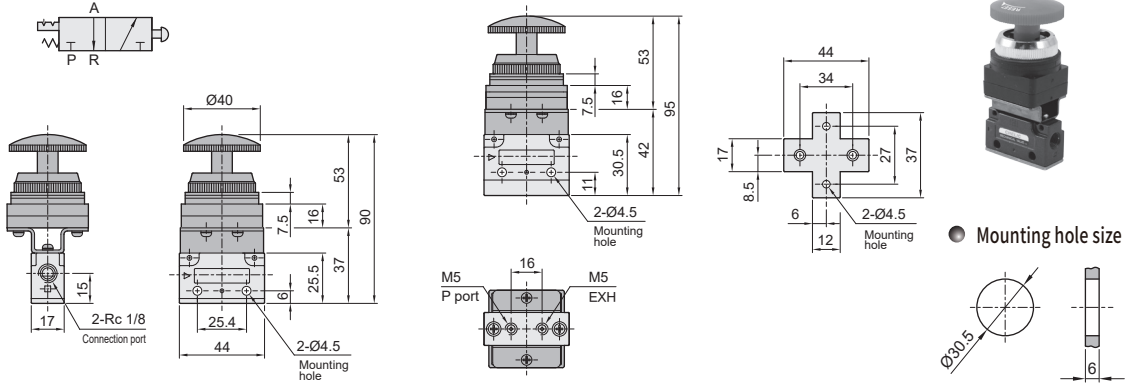
Dimensions

CHELIC

MV 15 S - 09 Stop cock button

► S: Both sides piping/ Standard ► B: Bottom piping

► F: With flange

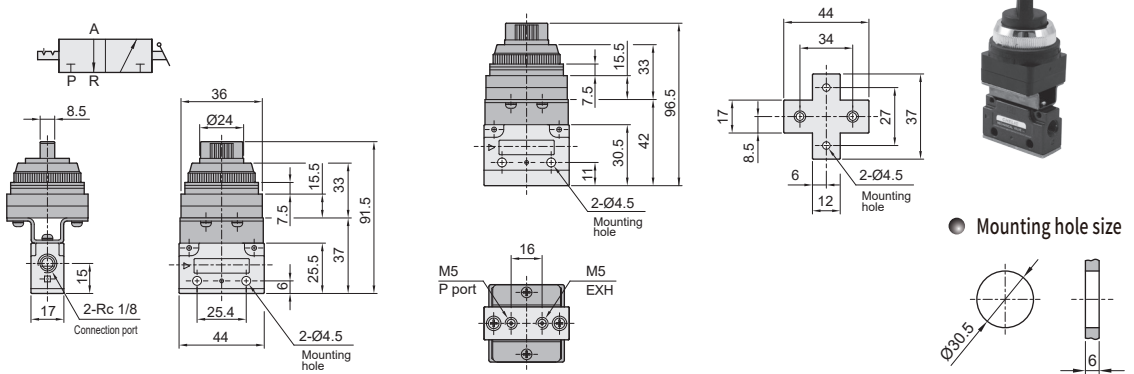


MV 15 S - F - 10 Twin selector

► S: Both sides piping/ Standard

► B: Bottom piping

► F: With flange



MV 15 S - F - 11 Key selector

► S: Both sides piping/ Standard

► B: Bottom piping

► F: With flange

