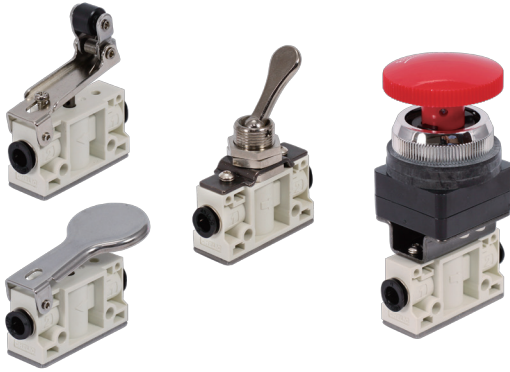


# MV140 series Mechanical Valve (Plastic Body)

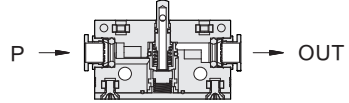
Product features/ Code of order

**CHELIC**

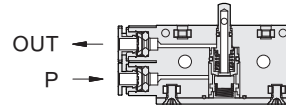
## Internal structure



MV-14S ( Side connection/ Standard )



MV-14U ( One side piping )



MV

HVL

HVM

HVT

QE

FVA

## Specification

Item	Model	MV-14S	MV-14U
Fluid		Air	
Body Material		PBT	
Pressure range	Kgf/cm <sup>2</sup> (KPa)	0 ~ 7 ( 0 ~ 700 )	
Ambient and fluid temperature	°C	0 ~ 60	
Number of positions		3/2-position	
Type of actuation		Normally closed	
Effective orifice	mm <sup>2</sup> (CV)	7 (0.39)	
Port size	mm	Ø4, Ø6	
Lubrication		Lubrication free type	

## Code of order

<b>MV</b>	-	<b>14</b>	-	<b>S</b>	-	<b>06</b>	-	<b>F</b>	-	<b>06</b>	-	<b>R</b>																																																				
Mechanical valve		Model		Connection port position		Port size		Bracket		Type		Button color																																																				
		14:140 Series (Plastic Body) 3/2-position		<table border="1"> <thead> <tr> <th>Mark</th> <th>Type</th> <th>Image</th> </tr> </thead> <tbody> <tr> <td>S</td> <td>Both sides piping</td> <td></td> </tr> <tr> <td>U</td> <td>One side piping</td> <td></td> </tr> </tbody> </table>	Mark	Type	Image	S	Both sides piping		U	One side piping		<table border="1"> <thead> <tr> <th>Mark</th> <th>Size</th> </tr> </thead> <tbody> <tr> <td>04</td> <td>Ø4</td> </tr> <tr> <td>06</td> <td>Ø6</td> </tr> </tbody> </table>	Mark	Size	04	Ø4	06	Ø6	<table border="1"> <thead> <tr> <th>Mark</th> <th>Type</th> <th>Image</th> </tr> </thead> <tbody> <tr> <td>None</td> <td>Body mounting type</td> <td></td> </tr> <tr> <td>F</td> <td>Front flange mounting</td> <td></td> </tr> </tbody> </table>	Mark	Type	Image	None	Body mounting type		F	Front flange mounting		<table border="1"> <thead> <tr> <th>Mark</th> <th>Type</th> </tr> </thead> <tbody> <tr> <td>01</td> <td>Basic</td> </tr> <tr> <td>02</td> <td>Roller lever</td> </tr> <tr> <td>03</td> <td>One way roller lever</td> </tr> <tr> <td>04</td> <td>Toggle lever type</td> </tr> <tr> <td>05</td> <td>Pressing</td> </tr> <tr> <td>06</td> <td>Push button (Flush)</td> </tr> <tr> <td>07</td> <td>Push button (Extended)</td> </tr> <tr> <td>08</td> <td>Push button (Mushroom)</td> </tr> <tr> <td>09</td> <td>Stop cock button</td> </tr> <tr> <td>10</td> <td>Twin selector</td> </tr> <tr> <td>11</td> <td>Key selector</td> </tr> </tbody> </table>	Mark	Type	01	Basic	02	Roller lever	03	One way roller lever	04	Toggle lever type	05	Pressing	06	Push button (Flush)	07	Push button (Extended)	08	Push button (Mushroom)	09	Stop cock button	10	Twin selector	11	Key selector	<table border="1"> <thead> <tr> <th>Mark</th> <th>Color</th> </tr> </thead> <tbody> <tr> <td>B</td> <td>Black</td> </tr> <tr> <td>G</td> <td>Green</td> </tr> <tr> <td>R</td> <td>Red</td> </tr> </tbody> </table>	Mark	Color	B	Black	G	Green	R	Red
Mark	Type	Image																																																														
S	Both sides piping																																																															
U	One side piping																																																															
Mark	Size																																																															
04	Ø4																																																															
06	Ø6																																																															
Mark	Type	Image																																																														
None	Body mounting type																																																															
F	Front flange mounting																																																															
Mark	Type																																																															
01	Basic																																																															
02	Roller lever																																																															
03	One way roller lever																																																															
04	Toggle lever type																																																															
05	Pressing																																																															
06	Push button (Flush)																																																															
07	Push button (Extended)																																																															
08	Push button (Mushroom)																																																															
09	Stop cock button																																																															
10	Twin selector																																																															
11	Key selector																																																															
Mark	Color																																																															
B	Black																																																															
G	Green																																																															
R	Red																																																															
												<p>*For 06 - 10 button color option</p> <p>09 - Stop cock button type without black color</p>																																																				

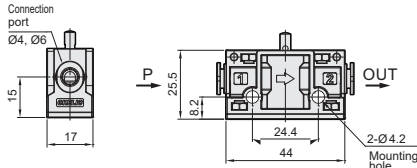
# MV140 series Mechanical Valve (Plastic Body)

## Dimensions

**CHELIC**

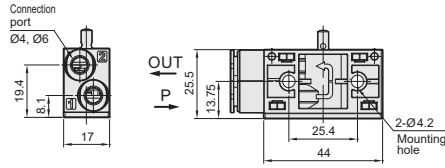
► **MV - 14 S - 04 - 01**

**S:** Both sides piping/ Standard

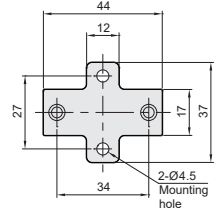


► **MV - 14 U - 04 - 01**

**U:** One side piping

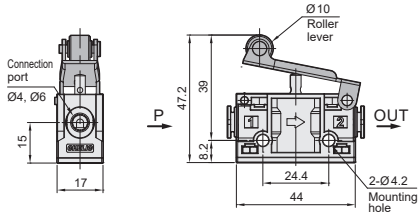


► **F:** With flange



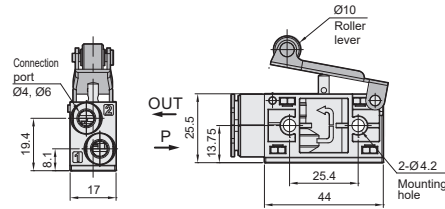
► **MV - 14 S - 04 - 02 Roller lever**

**S:** Both sides piping/ Standard

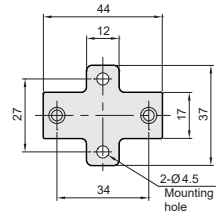


► **MV - 14 U - 04 - 02 Roller lever**

**U:** One side piping

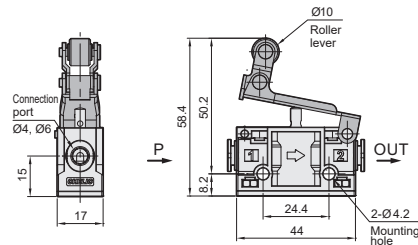


► **F:** With flange



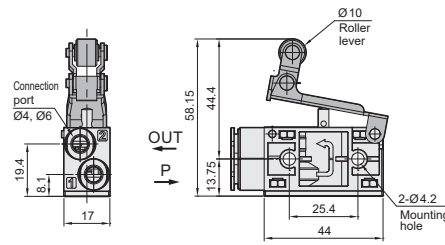
► **MV - 14 S - 04 - 03 One-way roller lever**

**S:** Both sides piping/ Standard

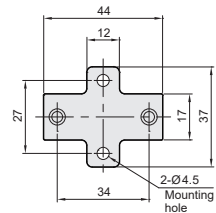


► **MV - 14 U - 04 - 03 One-way roller lever**

**U:** One side piping

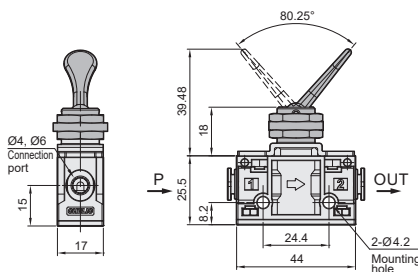


► **F:** With flange



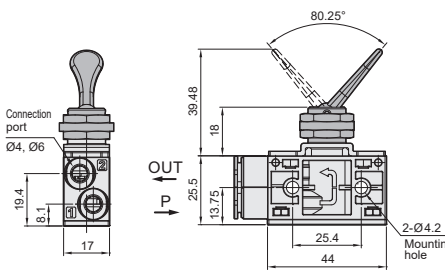
► **MV - 14 S - 04 - 04 Toggle lever**

**S:** Both sides piping/ Standard

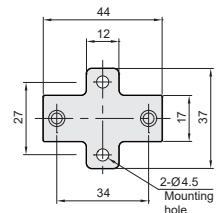


► **MV - 14 U - 04 - 04 Toggle lever**

**U:** One side piping



► **F:** With flange

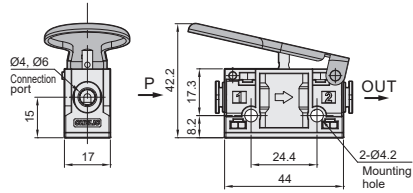


# MV140 series Mechanical Valve (Plastic Body)

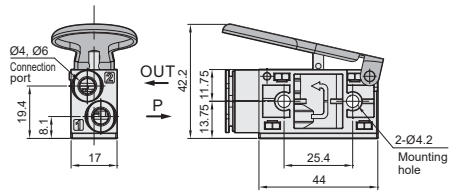
## Dimensions

**CHELIC**

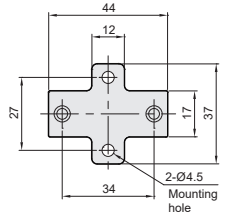
▶ **MV - 14 S - 04 - 05 Thumb lever**  
**S:** Both sides piping/ Standard



▶ **MV - 14 U - 04 - 05 Thumb lever**  
**U:** One side piping



▶ **F:** With flange



**MV**

**HVL**

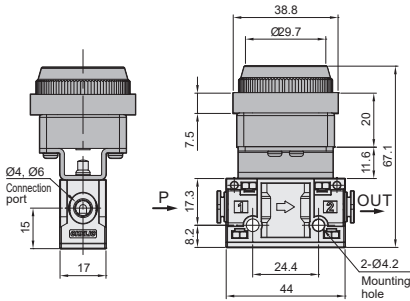
**HVM**

**HVT**

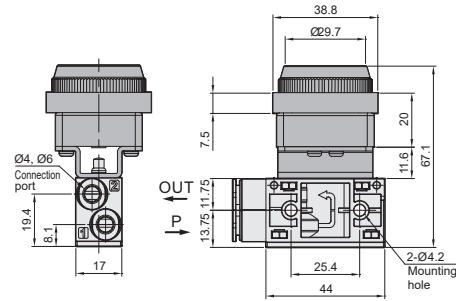
**QE**

**FVA**

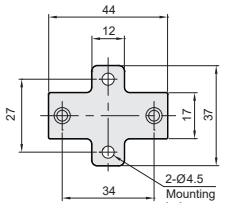
▶ **MV - 14 S - 04 - 06 Push button (Flush)**  
**S:** Both sides piping/ Standard



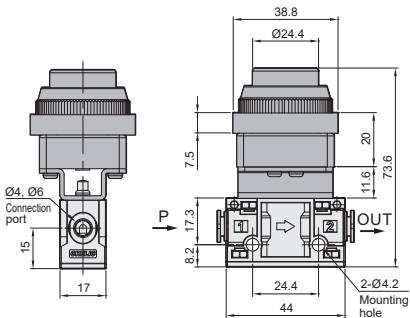
▶ **MV - 14 U - 04 - 06 Push button (Flush)**  
**U:** One side piping



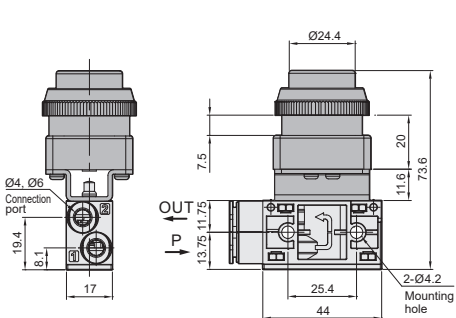
▶ **F:** With flange



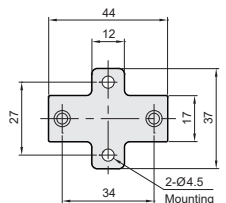
▶ **MV - 14 S - 04 - 07 Push button (Extended)**  
**S:** Both sides piping/ Standard



▶ **MV - 14 U - 04 - 07 Push button (Extended)**  
**U:** One side piping



▶ **F:** With flange



# MV140 series Mechanical Valve (Plastic Body)

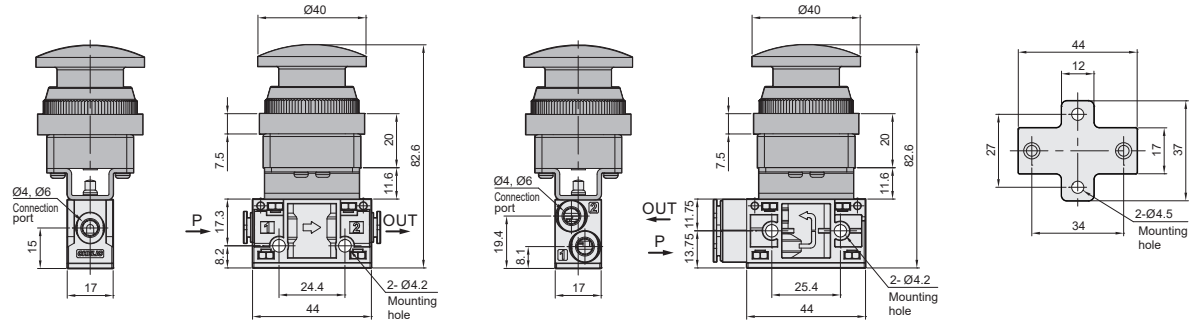
## Dimensions

**CHELIC**

● **MV - 14 S - 04 - 08 Push button (Mushroom)**  
**S:** Both sides piping/ Standard

● **MV - 14 U - 04 - 08 Push button (Mushroom)**  
**U:** One side piping

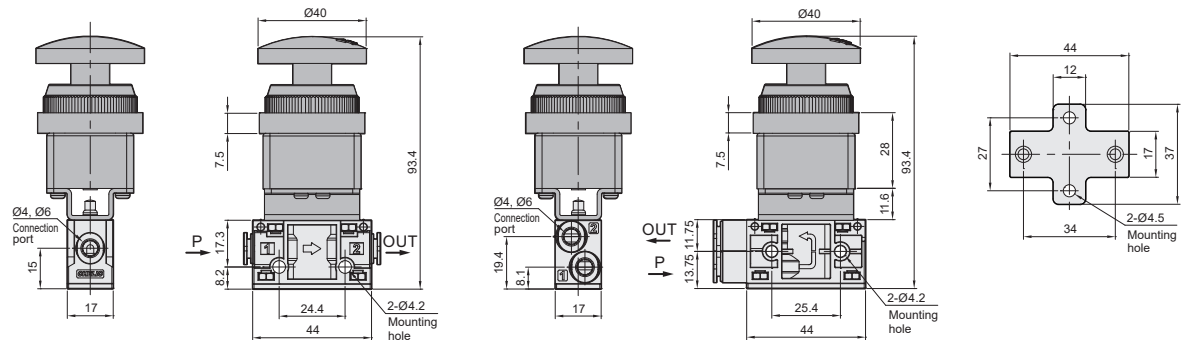
● **F:** With flange



● **MV - 14 S - 04 - 09 Stop cock button**  
**S:** Both sides piping/ Standard

● **MV - 14 U - 04 - 09 Stop cock button**  
**U:** One side piping

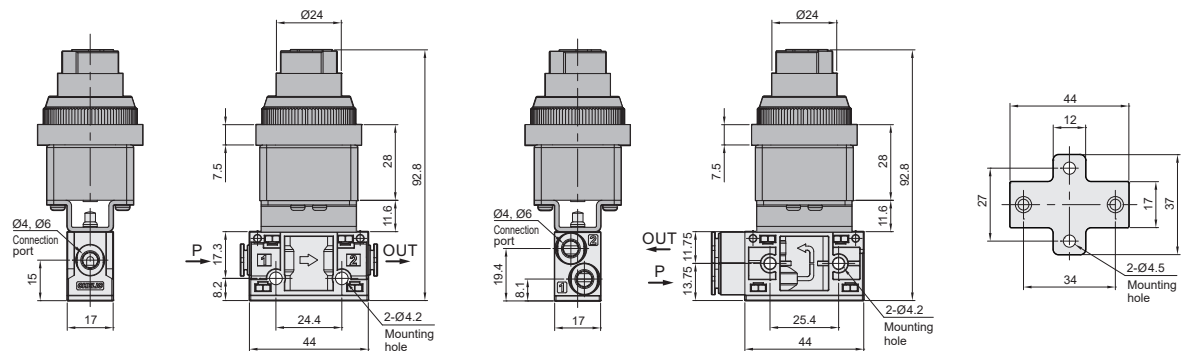
● **F:** With flange



● **MV - 14 S - 04 - 10 Twist selector**  
**S:** Both sides piping/ Standard

● **MV - 14 U - 04 - 10 Twist selector**  
**U:** One side piping

● **F:** With flange



# MV140 series Mechanical Valve (Plastic Body)

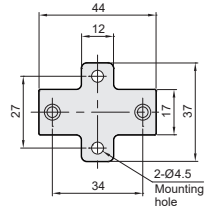
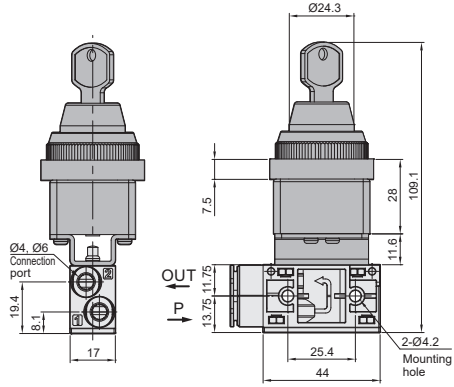
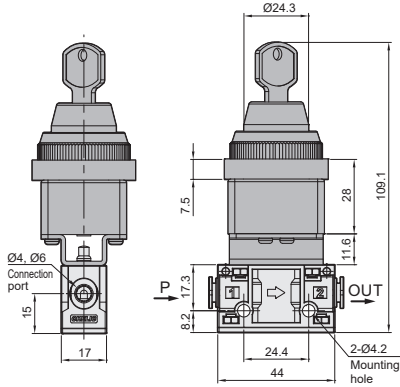
## Dimensions

**CHELIC**

⦿ **MV - 14 S - 04 - 11 Key selector**  
**S:** Both sides piping/ Standard

⦿ **MV - 14 U - 04 - 11 Key selector**  
**U:** One side piping

⦿ **F:** With flange



**MV**

**HVL**

**HVM**

**HVT**

**QE**

**FVA**