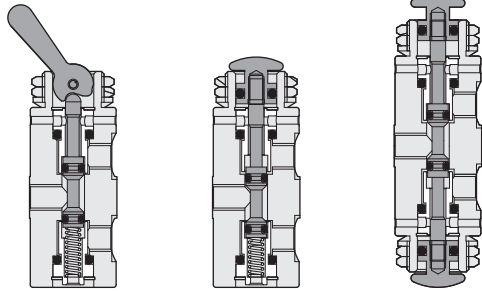


MV 110 series Round-head hand valve

Product features/ Code of order

CHELIC

Internal structure



01 : Lever type

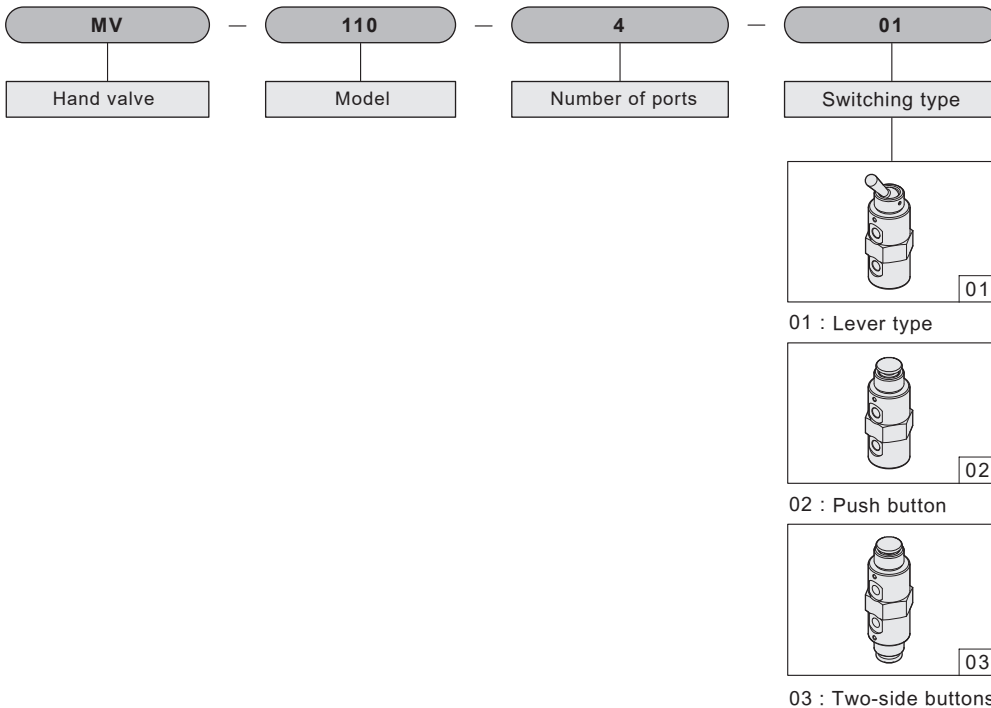
02 : Push button

03 : Double buttons

Specification

Item	Model	MV-110-4-01	MV-110-4-02	MV-110-4-03
Fluid		Air		
Pressure range	kgf/cm ² (kPa)	0 ~ 9 (0 ~ 900)		
Ambient and fluid temperature	°C	5 ~ 60		
Number of positions		2 positions		
Number of ports		4 ports		
Effective orifice	mm ² (CV)	1.8 (0.1)		
Port size	mm	M5		
Weight	g	61		66

Code of order

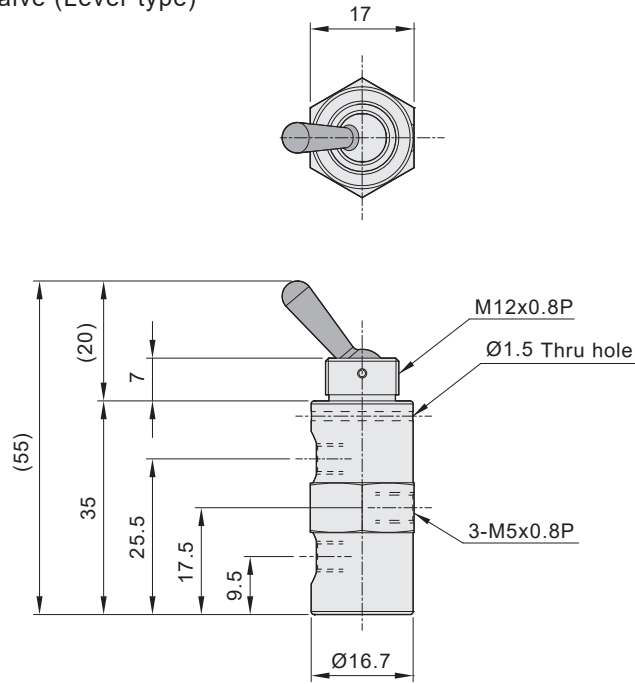


MV 110 series Round-head hand valve

Dimensions

CHELIC

- MV-110 series**
 Round-head hand valve (Lever type)



MV

HVL

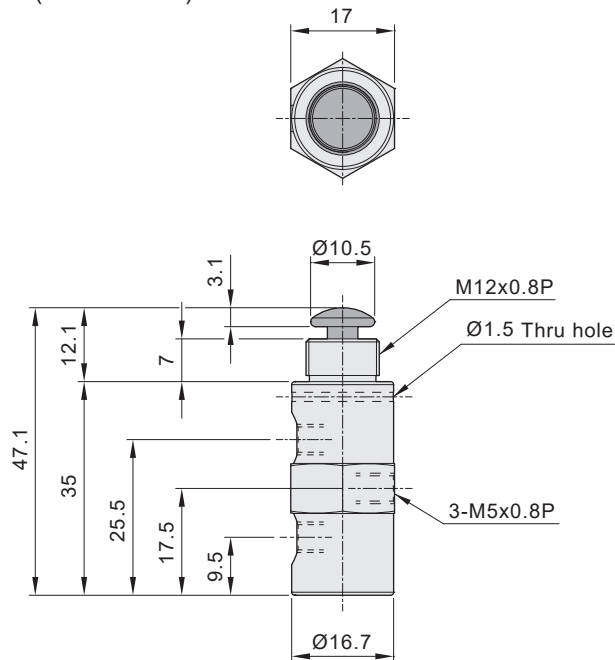
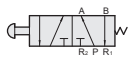
HVM

HVT

QE

FVA

- MV-110 series**
 Round-head hand valve (Push button)



MV 110 series Round-head hand valve

Dimensions

CHELIC

● MV-110 series

Round-head hand valve (Two-side buttons)

