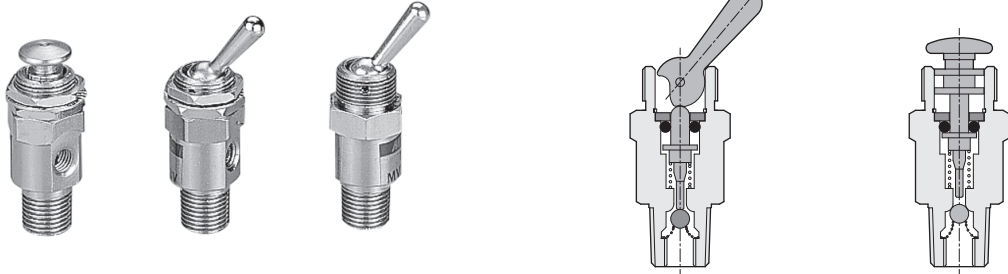


MV 100 series Thread type hand valve

Product features/ Code of order

CHELIC

Internal structure



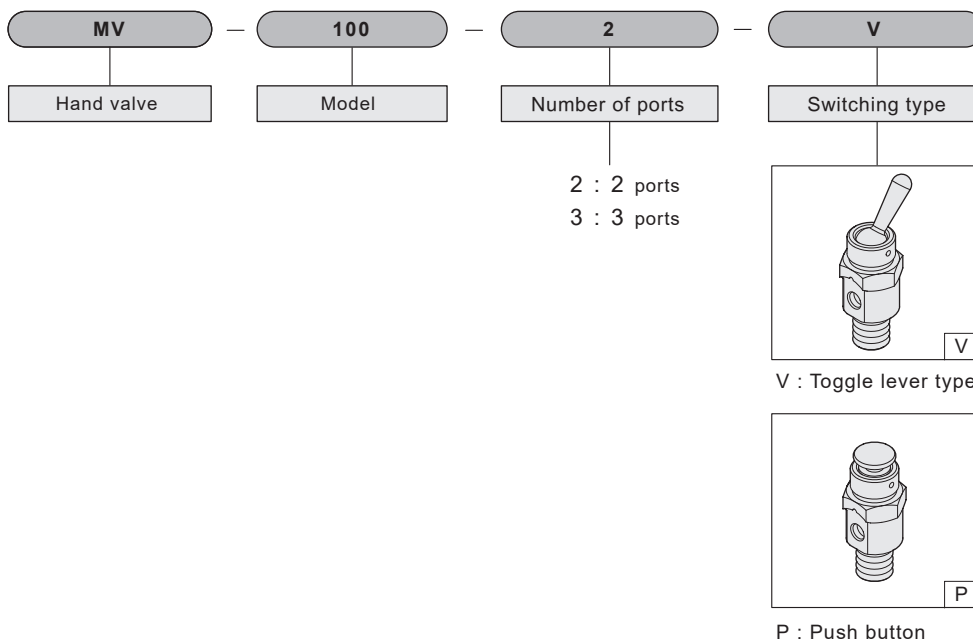
V : Toggle lever type

P : Push button

Specification

Item	Model	MV-100-□-V	MV-100-□-P
Fluid		Air	
Pressure range	kgf/cm ² (kPa)	0 ~ 9 (0 ~ 900)	
Ambient and fluid temperature	℃	5 ~ 60	
Number of positions		2 positions	
Number of ports		2 ports or 3 ports	
Effective orifice	mm ² (CV)	1.8 (0.1)	
Port Size	mm	M5	
Weight	g	30	

Code of order



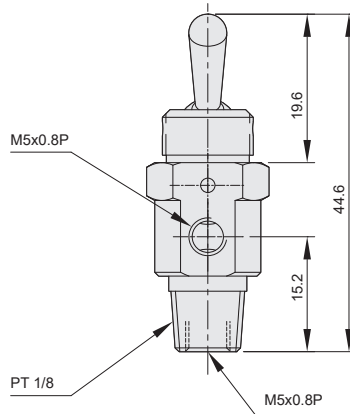
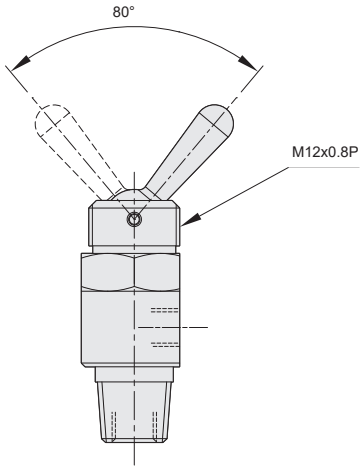
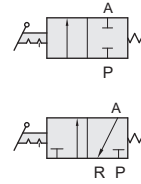
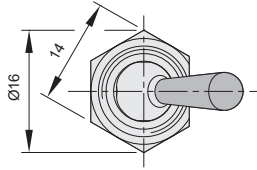
MV 100 series Thread type hand valve

Dimensions

CHELIC

● MV-100-□-V

Toggle lever type



MV

HVL

HVM

HVT

QE

FVA

● MV-100-□-P

Push button

