

HVL series Hand Valve

Product features/ Code of order

CHELIC

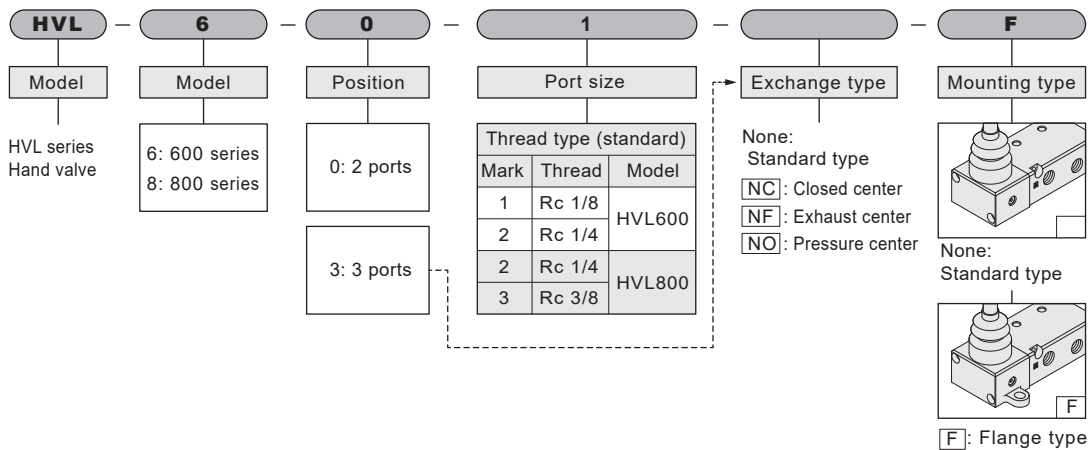
Internal structure



Specification

Item	Model	HVL-601	HVL-602	HVL-802	HVL-803
		HVL-631	HVL-632	HVL-832	HVL-833
Fluid		Air			
Pressure range	kgf/cm ² (kPa)	1 ~ 7 (100 ~ 700)			
Ambient and fluid temperature	°C	5 ~ 60			
Number of positions		5/2-position, 5/3-position			
Effective orifice	mm ² (CV)	14 (0.78)		18 (1.0)	
Angle for operated shaft		15°			
Port size	Rc(PT)	1/8	1/4		3/8
Lubrication		Lubrication free type			

Code of order

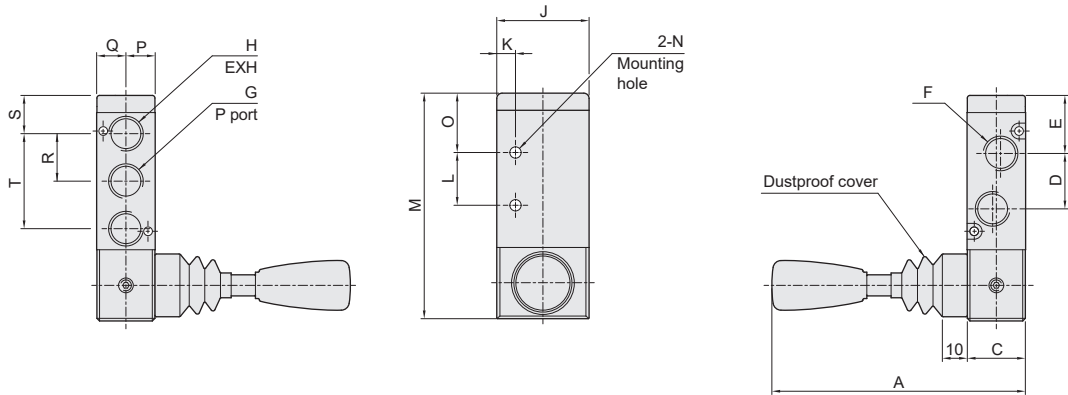


HVL series Hand Valve

Dimensions

CHELIC

Standard type



Item Model	A	C	D	E	F	G	H	J	K	L	M	N	O	P	Q	R	S	T
HVL-601 HVL-631	(94)	22	21	21.5	1/8	1/8	1/8	35	7	20	84	Ø4.3	22	11	11	18	14	36
HVL-602 HVL-632	(94)	22	21	21.5	1/4	1/4	1/8	35	7	20	84	Ø4.3	22	11	11	18	14	36
HVL-802 HVL-832	(99)	27	24	28	1/4	1/4	1/4	40	7	24	99	Ø4.3	27.5	13.5	13.5	23	17	46
HVL-803 HVL-833	(99)	27	24	28	3/8	3/8	1/4	40	7	24	99	Ø4.3	27.5	13.5	13.5	23	17	46

MV

HVL

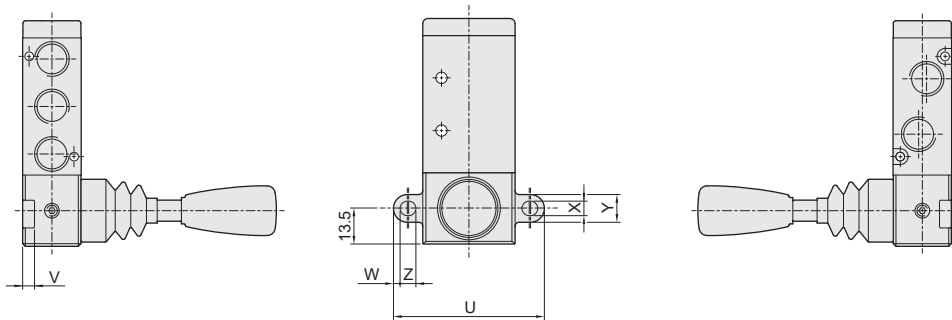
HVM

HVT

QE

FVA

Flange type - F



Item Model	U	V	W	X	Y	Z
HVL-601 HVL-631	57.2	4.5	2.5	5.5	10.5	6
HVL-602 HVL-632	57.2	4.5	2.5	5.5	10.5	6
HVL-802 HVL-832	67.1	5.5	3	6.6	12.6	7.1
HVL-803 HVL-833	67.1	5.5	3	6.6	12.6	7.1