

CX series

Economical Ver.

CHELIC®

2/2 Direct-operated Solenoid Valve

Port size: 1/8PT, 1/4PT

Applicable medium



Air

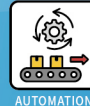


Water

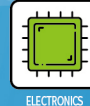


Vacuum

Applicable



AUTOMATION



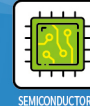
ELECTRONICS



OPTOELECTRONICS



MACHINE TOOLS



SEMICONDUCTORS

High Capacity

10% increase
Maximum capacity:
260L/min

Enhanced Energy-saving

43%
Power:**4.2W**

Zero Pressure Difference

0~9
kg/cm²

Enhanced fire retardance

UL94V-0 fire-resistant plastic material



Water & Dust IP



Enhanced resistance

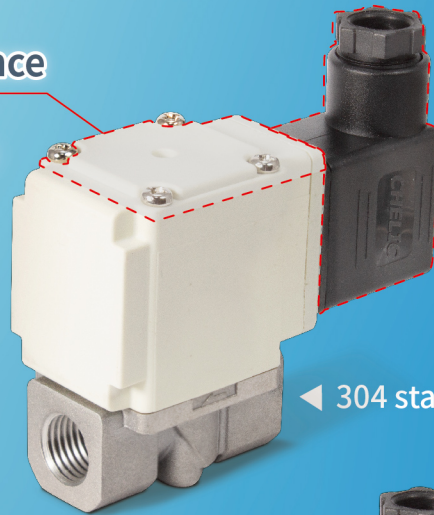
Two connection types



K-junction box



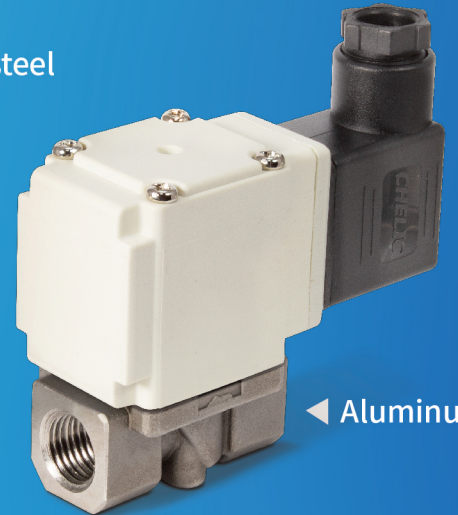
W-outgoing line



◀ 304 stainless steel



◀ Copper



◀ Aluminum

Pressure range	kgf/cm ² (kPa)	1.5~7 (150~700)
Temperature range	°C	5~60
Pilot type		Air guided
Type of actuation		Normally closed
Effective orifice mm ²	CV	0.23
Lubrication		Lubricant-free
Power supply		DC 24V / AC 220V

Model Material Applicable medium

CX A



▲ Aluminum



Air

CX C



▲ Copper



Water



Vacuum

CX S



▲ 304 stainless steel



Water



Vacuum

CX series 2/2 Direct-operated Solenoid Valve

Product features/ Code of order

CHELIC

Feature

- The body material in Brass, Aluminum, stainless options.
- Unique coil design adequate to differential pressure range up to 0.9Mpa required.
- Water-proof protection class IP 65 cut-off fluid and particles.
- DIN terminal and direct wiring in electrical entry options.



▲ Aluminum

▲ Copper

▲ 304
Stainless steel

Specification

Item	Model	CX
Fluid		Air, Water, Vacuum
Pressure range	kgf / cm ² (kPa)	1.5 ~ 7 (150 ~ 700)
Ambient and fluid temperature	°C	5 ~ 60
Pilot type		Air operated
Number of positions		2/2-position
Type of actuation		Normally closed
Effective orifice	CV	0.23
Port size		PT 1/8, PT 1/4
Lubrication		Lubrication free type
Voltage		DC 24V / AC 220V

Code of order **CX A 2 - 01 - DC24 - K**

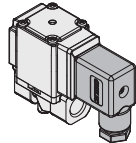
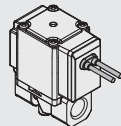
— 1 — 2 — 3 — 4 — 5 —

1	Mark	Body material
	A	Aluminum
	C	Copper
	S	304 Stainless steel

3	Mark	Port size
	01	PT 1/8
	02	PT 1/4

2	Mark	Valve port size (mm)
	2	2

4	Mark	Voltage
	DC 24	24 V DC
	AC 220V	220 V

5	Electrical entry
	
	K: DIN Terminal
	
	W: Grommet

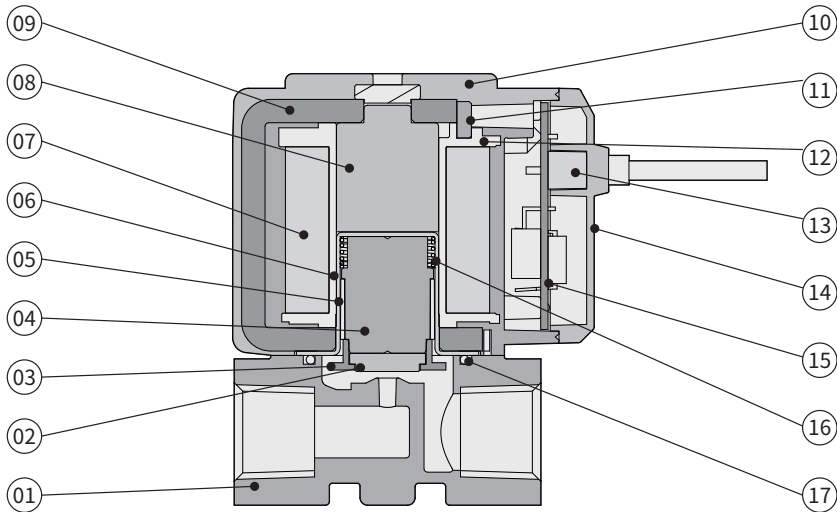
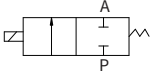
● W: With wire length 300mm

CX series 2/2 Direct-operated Solenoid Valve

Product features

CHELIC

Internal structure



Components and material list

No.	Item	Material	No.	Item	Material
01	Body	Aluminum alloy	10	Coil	PBT
02	Valve port rubber ring	NBR	11	U-shaped iron plate	Iron
03	Valve port rubber ring base	Copper alloy	12	Wire rack	LCP
04	Spring bushing	Stainless steel	13	Wire sleeve	NBR
05	Wear ring	Teflon	14	W-shaped light housing	PBT
06	Casing	Stainless steel	15	Circuit board	Fiberglass
07	Copper wire	Copper	16	Spring bushing spring	Stainless steel
08	Coil insert bushing	Stainless steel	17	O-ring	NBR
09	U-shaped iron	Iron			

CX

SBS

SU

SFW

SUB

SUG

SUD2

SUW2

SUS

SAS

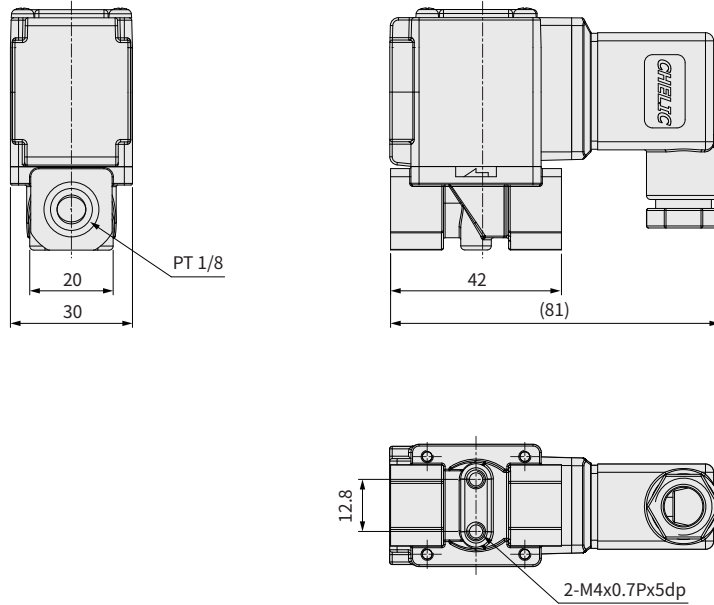
SDC

CX series 2/2 Direct-operated Solenoid Valve

Dimensions

CHELIC

■ CX 2 series -K



■ CX 2 series -W

